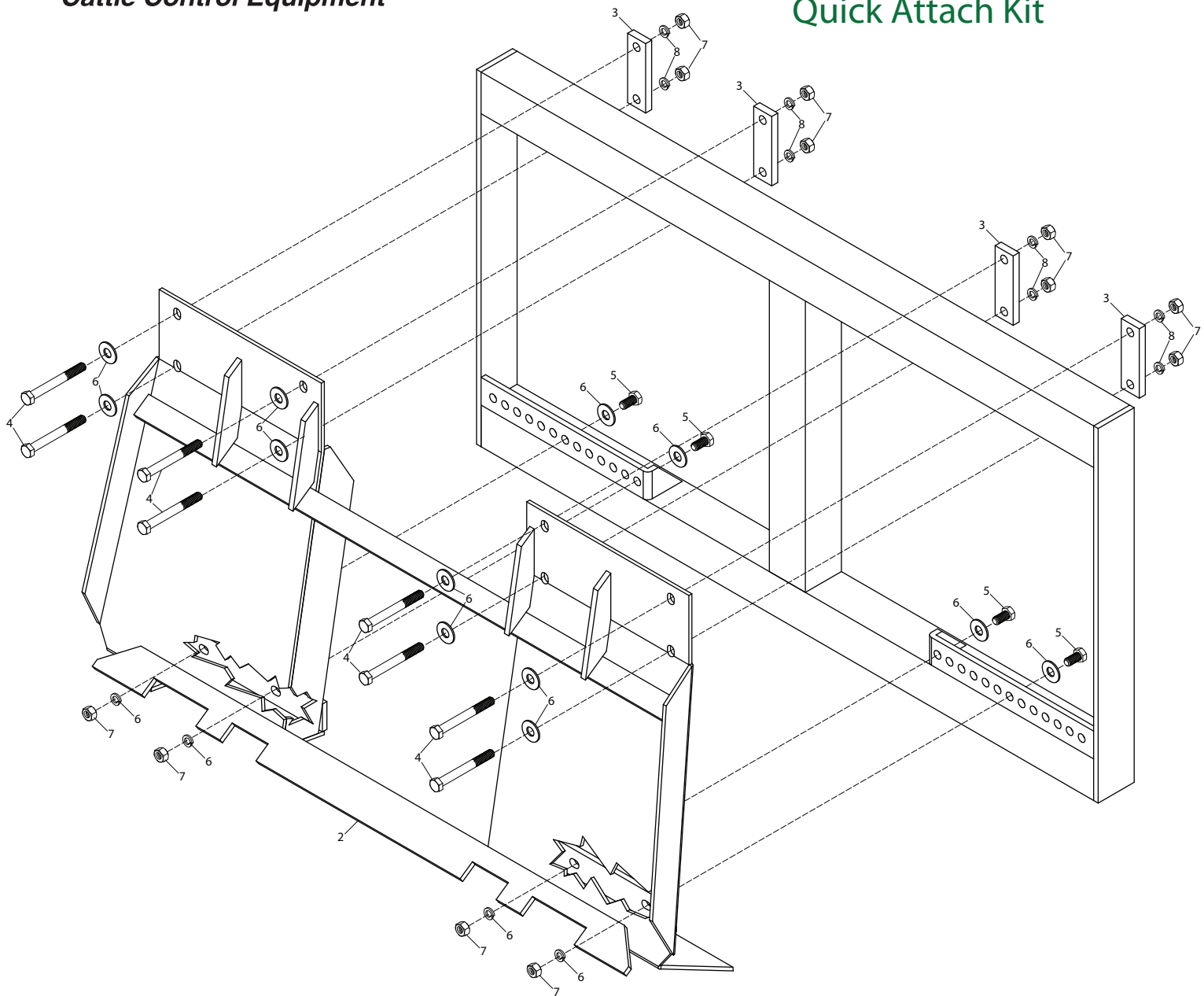
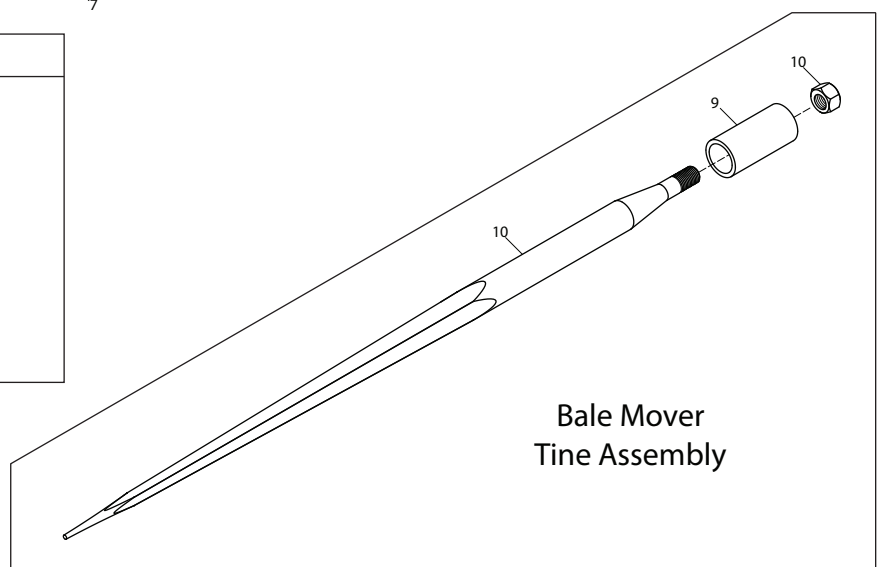


Universal Skid Loader Quick Attach Kit



Ref #	Qty	Part #	Description
1	1	COM25*	Bale Mover Frame
2	1	COMQU	Quick Attach
3	4	COMMP	Quick Attach Mounting Plate
4	8	H5C12*5	1/2" x 5" Hex Bolt
5	4	H5C12*112	1/2" x 1 1/2" Hex Bolt
6	12	FW12	1/2" Flat Washer
7	12	LW12	1/2" Lock Washer
8	12	NC12	1/2" Hex Nut
9		SCO2500	Bale Mover Tine Sleeve
10		PRO25**	Bale Mover Tine



Bale Mover
Tine Assembly