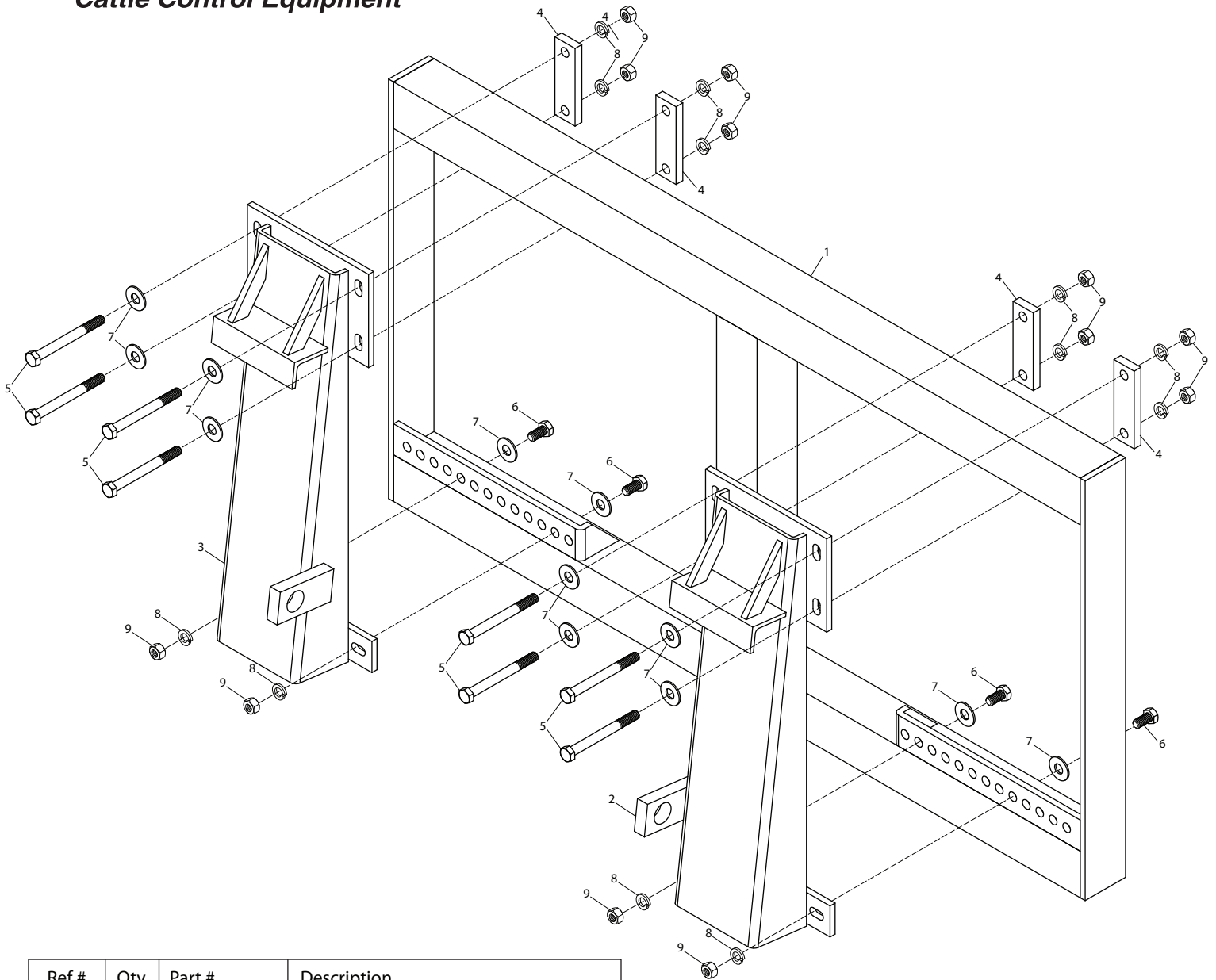


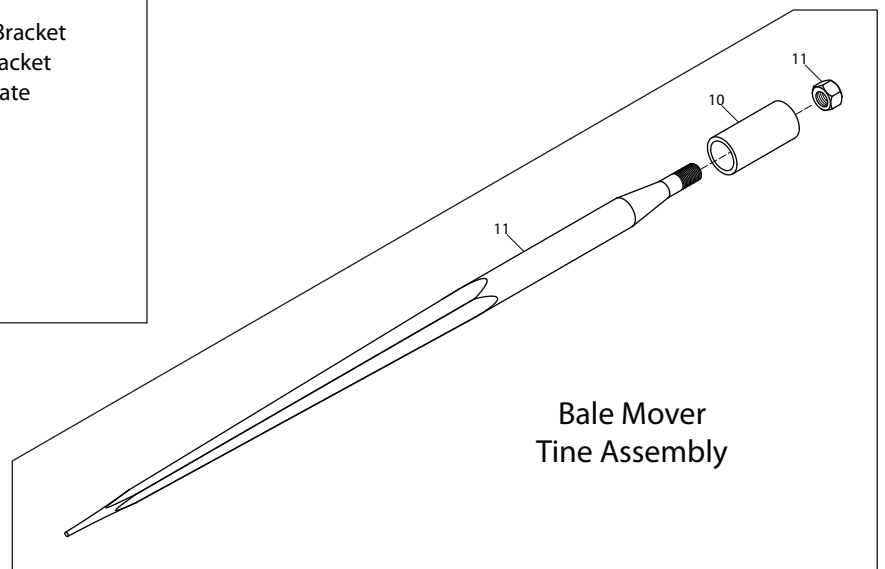


Cattle Control Equipment

# Great Bend Loader



Ref #	Qty	Part #	Description
1	1	COM25*	Bale Mover Frame
2	1	COMQGB	Great Bend Loader Right Bracket
3	1		Great Bend Loader Left Bracket
4	4	COMMP	Quick Attach Mounting Plate
5	8	H5C12*5	1/2" x 5" Hex Bolt
6	4	H5C12*112	1/2" x 1 1/2" Hex Bolt
7	12	FW12	1/2" Flat Washer
8	12	LW12	1/2" Lock Washer
9	12	NC12	1/2" Hex Nut
10		SCO2500	Bale Mover Tine Sleeve
11		PRO25**	Bale Mover Tine



Bale Mover  
Tine Assembly