

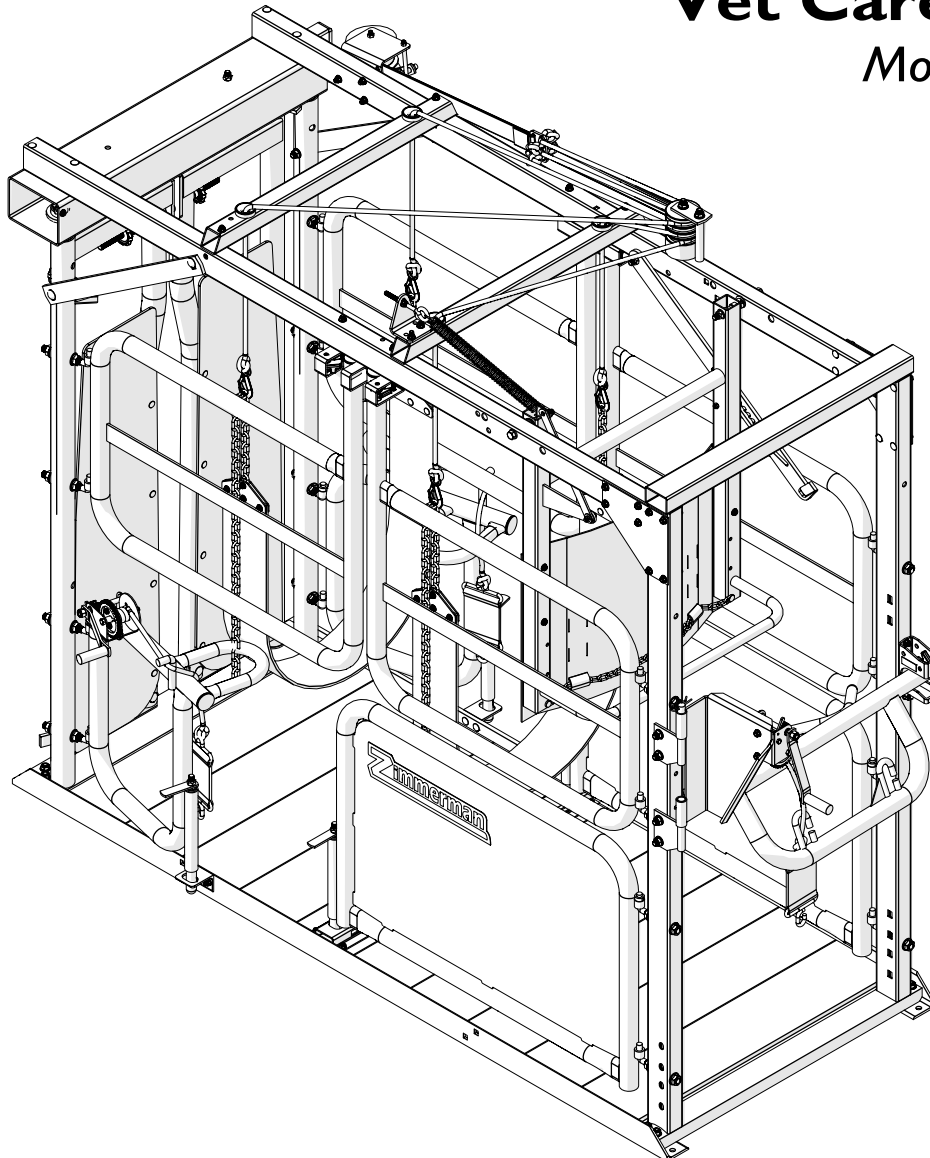


***Cattle Control Equipment***

# **Owner's Manual**

**Vet Care Chute**

*Model HVCI 2*



**PBZ LLC | 50 Wood Corner Rd | Lititz PA 17543  
www.zimmermanequipment.com | (717) 738-7365**

*A Paul B Zimmerman Inc. Company*

**Form OM0019**  
*Rev. Date 12/11*



Zimmerman Equipment would like to thank you for choosing to purchase one of our cattle control chutes. We appreciate your business and want to fill all of your cattle control equipment needs. We also desire to provide you with the technical support and needed parts that will allow you to continue operating without disruption. For parts and service please contact your local Zimmerman Equipment dealer.

# Table Of Contents

**Safety Precautions** ..... 3  
    General Guidelines.....3  
**Operating Instructions** ..... 4  
    Before Loading the Animal.....4  
    Loading the Animal.....4  
    Trimming the Front Hoofs.....5  
    Trimming the Rear Hoofs.....5  
    Releasing the Animal.....5  
**Zimmerman Equipment Limited Warranty** ..... 6  
**Contact Us**..... 7  
    Ordering Parts.....7

# Safety Precautions



## General Guidelines

- Be sure to read and understand this entire manual before attempting to operate the vet care chute.
- Remember that all animals are dangerous and can behave unpredictably. Treat each animal with respect regardless of the temperament of the animal.
- The vet care chute is not intended for use with bison, or any animal with horns exceeding 18” in width.
- Check all bolts before each use to be sure they are tight.
- Make sure the vet care chute is properly anchored to the floor or another stable structure.
- When loading an animal into the vet care chute, always stand clear of the front of the chute in case the doors do not lock properly.
- Keep fingers clear of all latch and hinge points.
- Never allow children to play in or around the vet care chute.

# Operating Instructions

## Before Loading the Animal

1. Be sure that the belly straps (a) are completely lowered and out of the way of the animal as it is being loaded (Figure 1). Unhook the chain from one side of the strap and lay the strap flat on the floor of the chute.
2. The back stop (a) and rear leg lifter (b) must be in the open position as shown (Figure 2).
3. To operate the back stop, lift the adjustment lever (a) and lift the back stop into the desired position (Figure 3).
4. The headgate doors must be in the loading position and must be properly adjusted to accommodate the size of the animal being loaded (See the Automatic Headgate owner's manual for instructions).
5. Be sure the rear lower gates (a) on each side of the chute are in the loading position (the outsided latch slot) as shown (Figure 4).

## Loading the Animal

1. With the belly straps lowered, the back stop in the open position, the headgate properly adjusted, and the rear lower gates in the loading position, load the animal.
2. The animal should approach from the rear of the chute as shown (Figure 5).
3. For slow or timid animals, the headgate features a handle to manually close the doors. If the animal puts its head through the headgate but does not go far enough for the doors to close, the handle can be pulled to manually close and lock the doors in place (See the Automatic Headgate owner's manual for details).

Note: See the Automatic Headgate owner's manual for instructions on releasing an animal that gets caught by the ribs in the headgate.

4. After the animal is in the chute push the back stop firmly in against the back of the animal.
5. Push the animal as tight into the headgate as possible to prevent it from moving front or back.
6. After the back stop is positioned close the the rear leg lifter (a) (Figure 6).
7. With the animal securely in the chute, raise the belly strap till it is snugly against the belly of the animal.

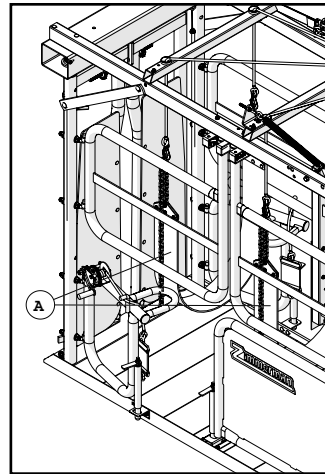


Figure 1: Belly straps

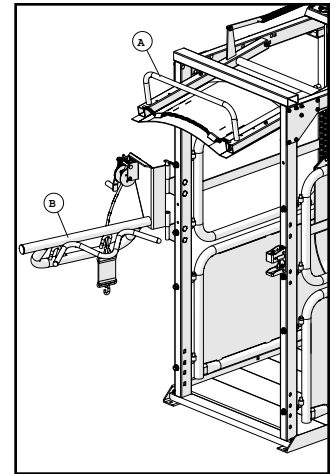


Figure 2: Back stop and rear leg lifter

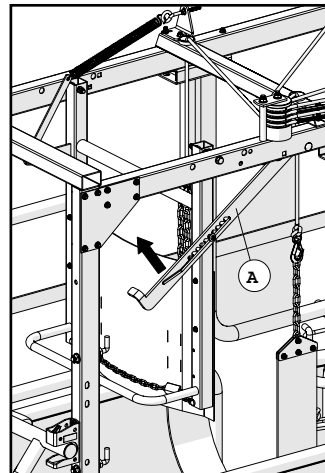


Figure 3: Back stop operation

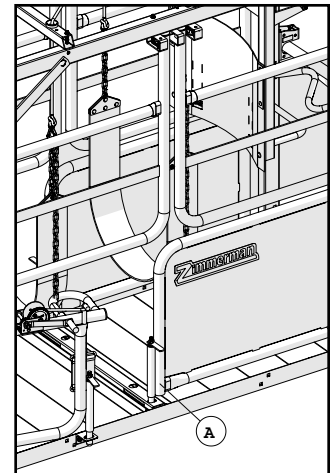


Figure 4: Rear lower gate in loading position

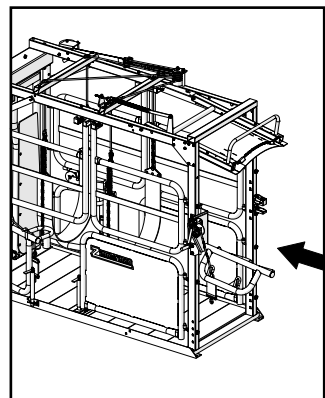


Figure 5: Loading the animal

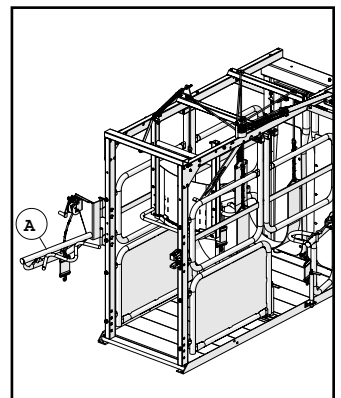


Figure 6: Rear leg lifter (open position)

Note: If the animal enters the chute but resists going far enough to lock the headgate you may need to lower the back stop to prevent it from backing out of the chute.

# Operating Instructions

## Trimming the Front Hoofs

1. Before trimming the front hoof, move the bottom rear gates on each side of the chute to the trimming position (the inside latch slot) to prevent the operator from being kicked as shown (Figure 7).
2. Attach the front leg lifter strap (a) around the front leg about 4" above the hoof (Figure 8).
3. Use the front leg lifter winch (b) to lift the desired leg into position (Figure 8).
4. Once trimming is completed, lower the leg and remove the strap.

Note: Trim only one leg at a time. NEVER attempt to lift more than one leg at a time!

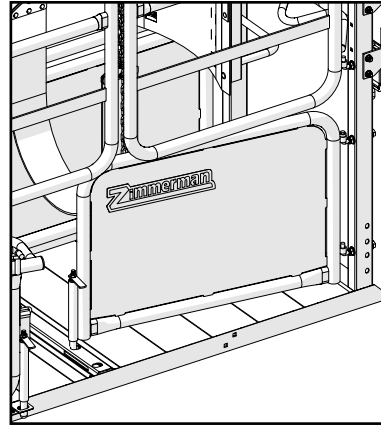


Figure 7: Rear lower gate (trimming position)

## Trimming the Rear Hoofs

1. Open the bottom rear gate on the side that you wish to trim first.
2. Attach the rear leg lifter strap (a) to the leg about 4" above the hoof (Figure 9).
3. Lift the leg into place as quickly as possible using the rear leg lifter winch (b) (Figure 9).
4. Once trimming is completed, lower the leg and remove the strap.

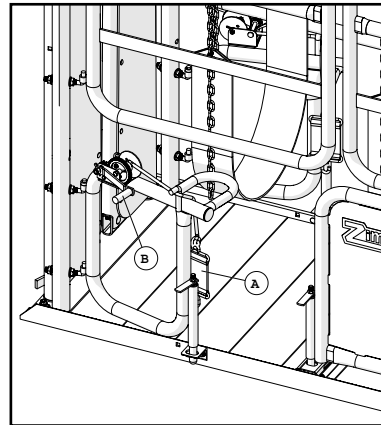


Figure 8: Front leg lifter

## Releasing the Animal

1. After all trimming is complete, make sure that all leg straps are completely removed and clear of the animal's path of exit from the chute.
2. Lower both belly straps several inches and unhook the chain on one side of the strap so that the belly band is laying flat on the floor and will not cause the animal to trip when exiting the chute.
3. Release the animal from the headgate (See Automatic Headgate owner's manual for instructions).

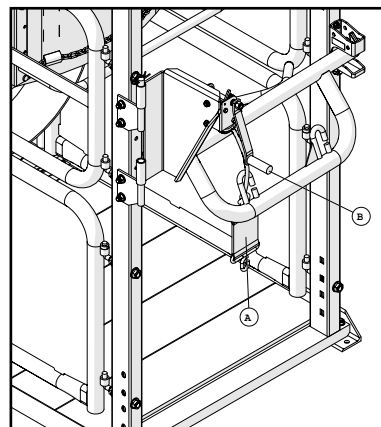


Figure 9: Rear leg lifter

# Zimmerman Equipment Limited Warranty

## Vet Care Chute: Model HVCI2

## Warranty Coverage

PBZ LLC hereby provides a Limited Two (2) Year Warranty on vet care chutes, manufactured by PBZ LLC. Vet care chutes manufactured by PBZ LLC are warrantied against any manufacturer's defects in any of the chute's components in the 24 months following the original date of purchase.

Defective components will be repaired or replaced at the discretion of the manufacturer. It is the responsibility of the purchaser to return warranted components to the manufacturer. This warranty is limited to the repair or replacement of vet care chute components only. PBZ LLC is not to be held liable for incidental or consequential damages of any kind. This warranty covers the purchaser of this vet care chute and any other owners who own it during the two year warranty period.

To retain the warranty, the vet care chute must be operated and maintained as ascribed by its owner's manual. For warranty service, please have a copy of the purchase invoice available.

## Warranty Is Void if:

1. The vet care chute has been subjected to, in the opinion of PBZ LLC, negligent handling, misuse, an accident or if the instructions in the owner's manual were not completely followed.
2. The vet care chute's components have been altered in any manner or repairs have taken place with unapproved parts.

## Getting Service

All vet care chute warranty claims must be made through an authorized Zimmerman Equipment dealer. All warranty claims must be submitted with an invoice or a proof of purchase that denotes the purchase date and place of purchase. If you have any questions or comments concerning this warranty, please contact an authorized Zimmerman Equipment dealer.

# Contact Us

We desire to give you continuing service in the best manner possible. This includes listening to your comments, suggestions, and problems. We will do our best to answer all questions thoroughly and in a timely manner. We have trained customer service specialists who are more than willing to listen to any questions or problems and help you to find a feasible solution.

## Ordering Parts

We have a fully-stocked parts department that will be able to meet all of your parts needs. Our trained customer service specialists will ensure that all purchases are processed smoothly and shipped in a timely manner. We regularly ship our parts and products on the same business day and we are willing to work with you to find the best shipping solution. We also offer priority shipping to reduce your downtime and keep your Zimmerman equipment on the job.

**Note:** When ordering parts, please provide our sales staff with the correct part number and description listed on the parts list.



***Cattle Control Equipment***

**PBZ LLC**

A Paul B Zimmerman Inc. Company

50 Wood Corner Road

Lititz PA 17543

(717) 738-7365

Fax (717) 738-7375

[www.zimmermanequipment.com](http://www.zimmermanequipment.com)