



Cattle Control Equipment

Manufactured by PBZ LLC

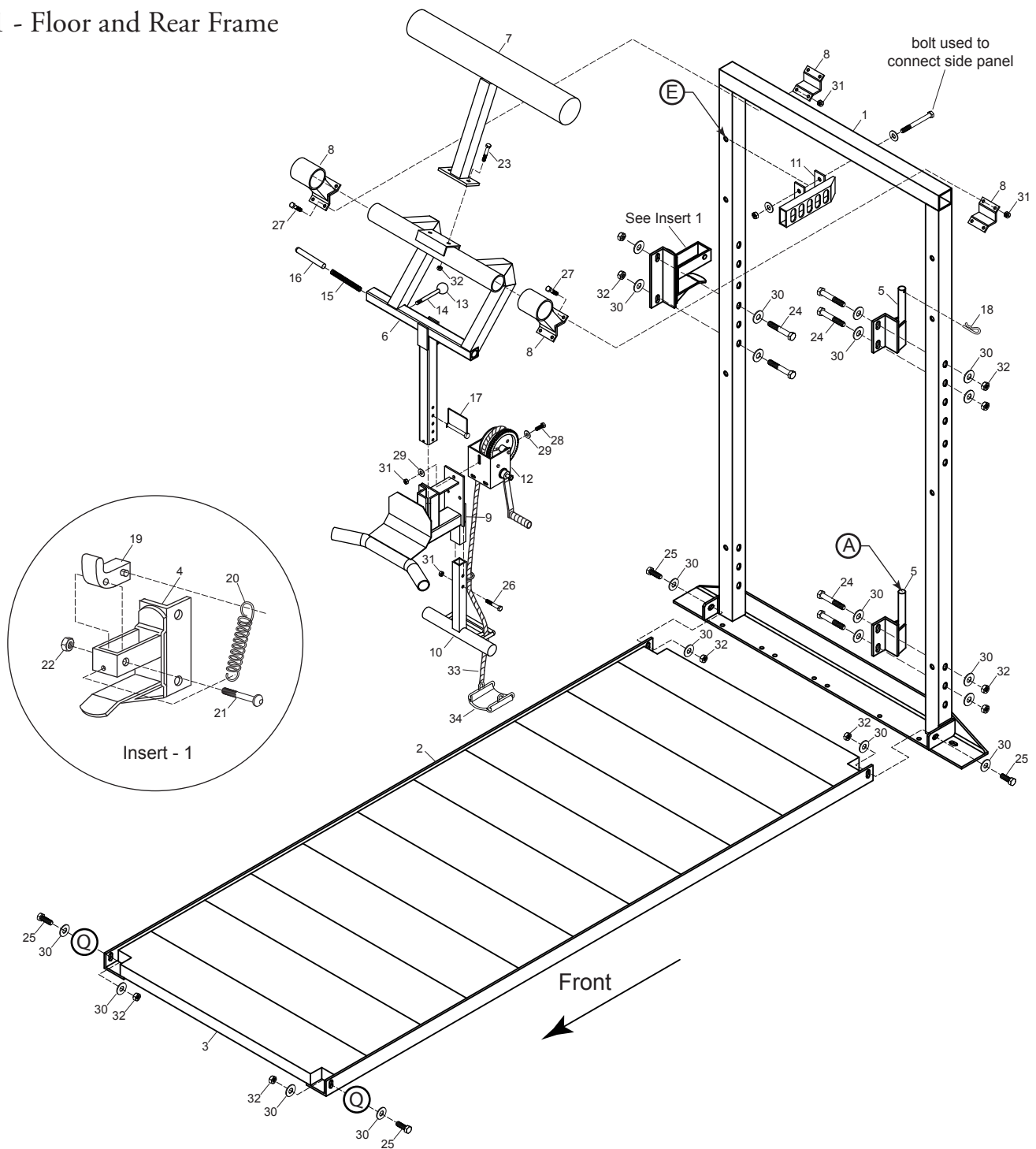
295 Woodcorner Rd.

Lititz, PA 17543

(717) 738-7365

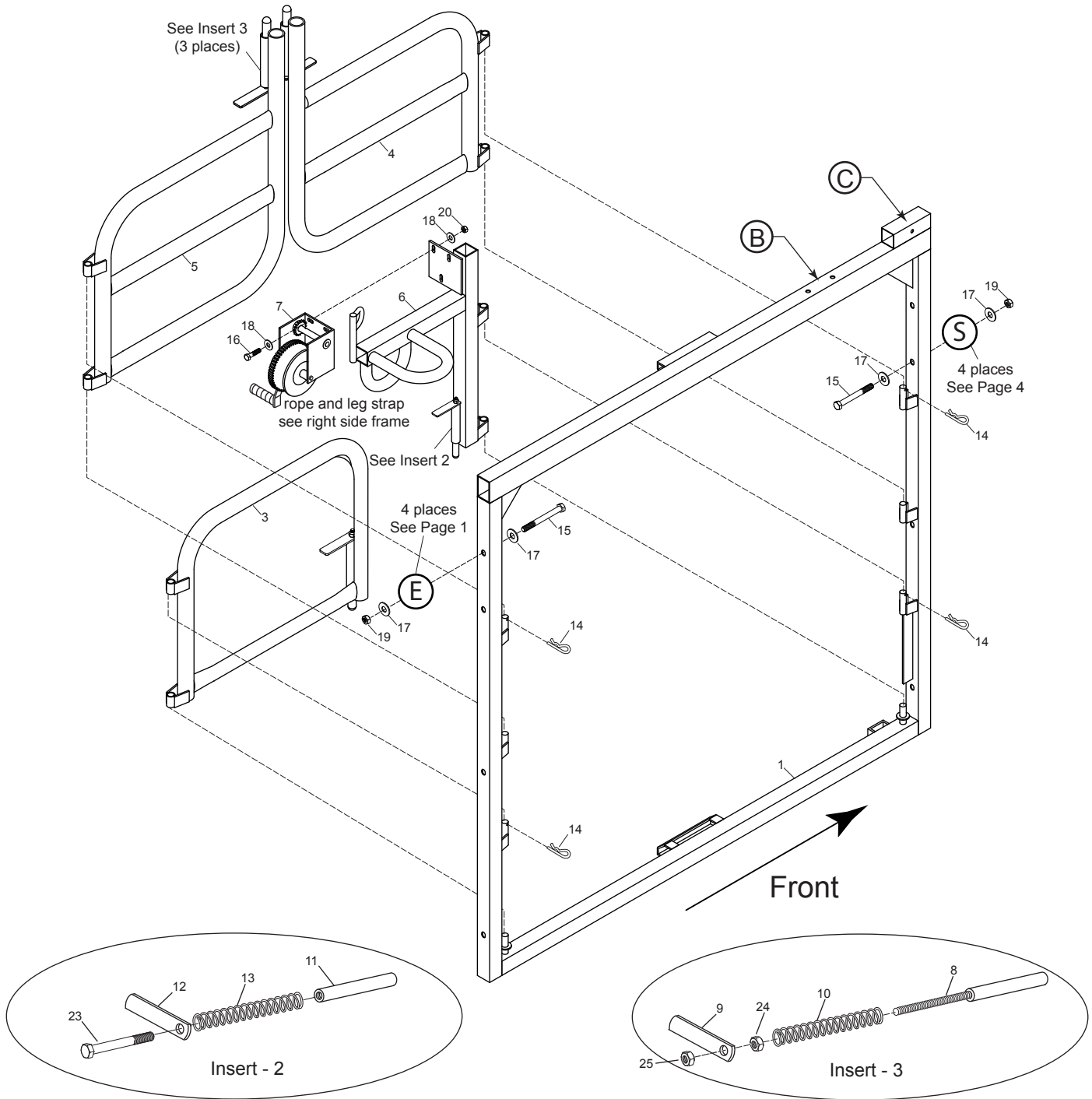
Hoof Care / Vet Chute

Parts & Assembly Sheets



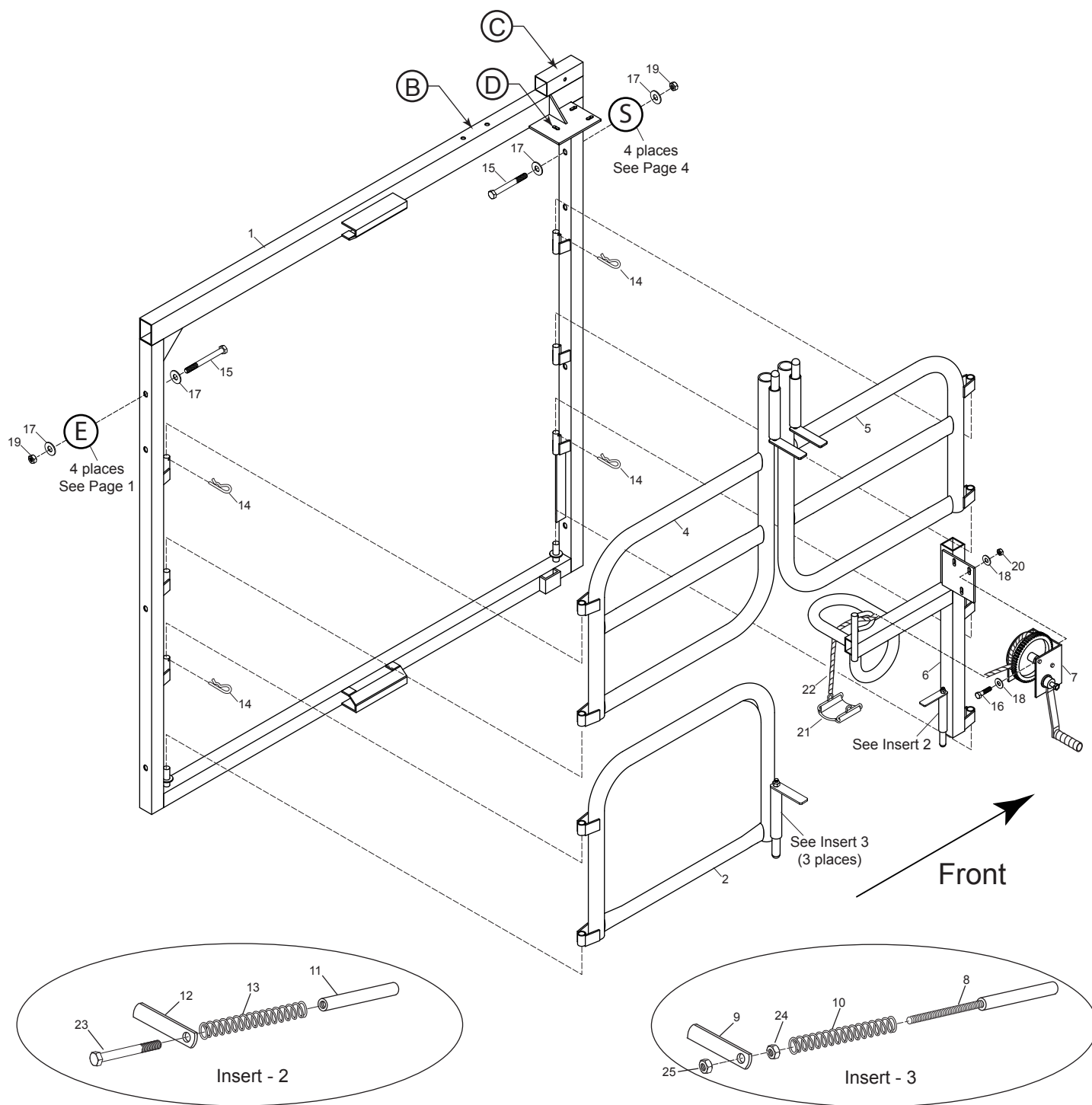
Ref #	Qty	Part #	Description
1	1	HRF8115	Rear frame
2	1	HHFLOOR	Floor frame
3	11	R9102	Rubber traction plank
4	1	HSG8149	Rear swing gate latch
5	2	HSG8148	Rear swing gate hinges
6	1	HCA06MF	Deluxe gate main frame
7	1	HCA06CW	Deluxe gate counter weight
8	2	HCA06HINGE	Deluxe gate hinge
9	1	HCA06WA	Deluxe gate winch assembly
10	1	HCA06TB	Deluxe gate t-bar
11	1	HCA06LATCH	Deluxe gate latch
12	1	DLB800	800lb hand winch
13	1	KBT	Teardrop knob
14	1	TR12*72	Threaded rod 1/2"
15	1	SC-475	Spring
16	1	GLSB-06	Spring bolt
17	1	00267	Square lock pin

Ref #	Qty	Part #	Description
18	1	CP3	3" clip pin
19	1	GLTR	Gate latch tripper
20	1	GLS200-01	Gate latch spring
21	1	H2C38*214	3/8" x 2 1/4" hex bolt
22	1	SJNC38	3/8" jam lock nut
23	2	H5C12*412	1/2" x 4 1/2" hex bolt
24	6	H5C12*3	1/2" x 3" hex bolt
25	4	H5C12*112	1/2" x 1 1/2" hex bolt
26	1	H5C38*212	3/8" x 2 1/2" hex bolt
27	8	H5C38*112	3/8" x 1 1/2" hex bolt
28	3	H5C38*1	3/8" x 1" hex bolt
29	6	FW38	3/8" flat washer
30	21	FW12	1/2" flat washer
31	12	NC38	3/8" nut
32	12	NC12	1/2" nut
33	1	RSBN12	1/2" braided nylon rope
34	1	HCA2001-LS	Leg strap



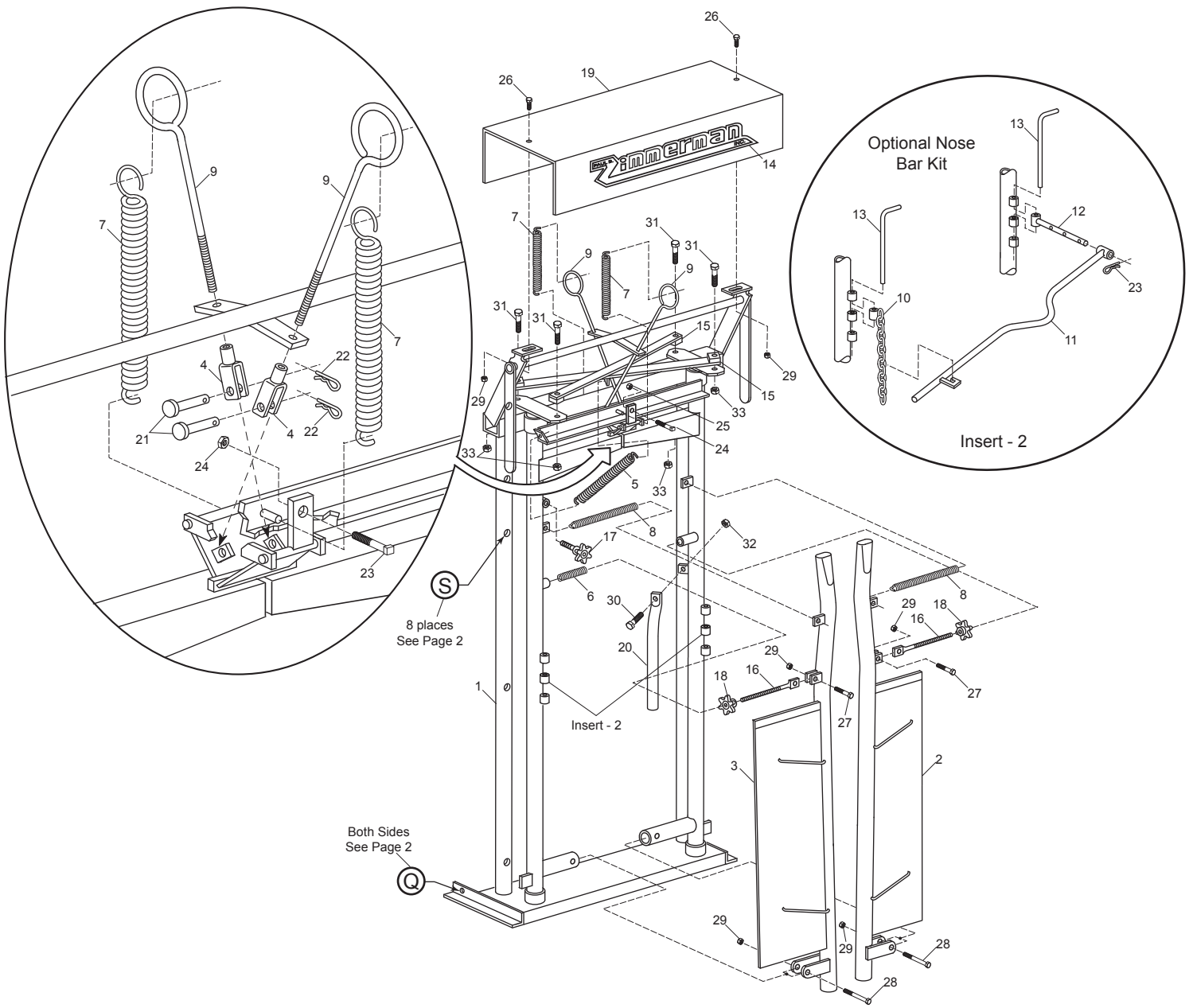
Ref #	Qty	Part #	Description
1	1	HGS8115-LEFTFRAME	Left frame
2	1	HGS8114-BGL	Bottom left door
3	1	HGS8114-BGR	Bottom right door
4	1	HGS8114-TGL	Top left door
5	1	HGS8114-TGR	Top right door
6	1	HCA01FWB-R	Front winch mount
7	1	DLB800	800lb hand winch
8	3	GLSB	Spring latch bolt
9	3	GLSH	Spring latch handle
10	3	GLS675	Spring latch spring
11	1	GLSSB	Small spring latch bolt
12	1	GLSSH	Small spring latch handle

Ref #	Qty	Part #	Description
13	1	GLS400	Small spring latch spring
14	4	CP3	3" clip pin
15	8	H5C12*5	1/2" x 5" hex bolt
16	3	H5C38*1	3/8" x 1" hex bolt
17	16	FW12	1/2" flat washer
18	6	FW38	3/8" flat washer
19	8	NC12	1/2" hex nut
20	3	NC38	3/8" hex nut
21	1	HCA2001-LS	Leg strap
22	6'	RSBN12	1/2" braided nylon rope
23	1	H5C14*5	1/4" x 5" hex bolt
24	3	JNNC12	1/2" jam lock nut
25	3	SNC12	1/2" steel lock nut



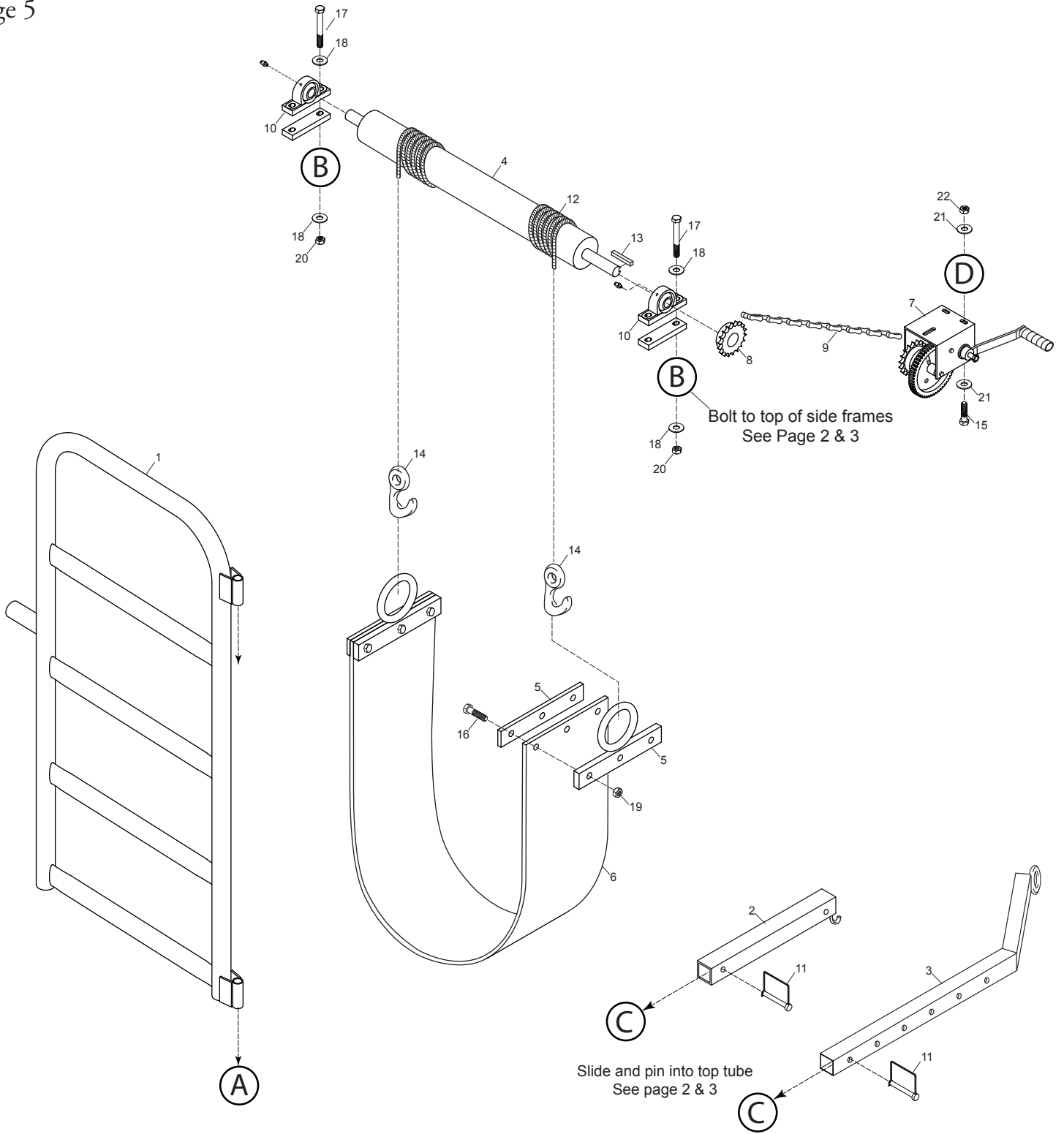
Ref #	Qty	Part #	Description	Ref #	Qty	Part #	Description
1	1	HGS8115-RIGHTFRAME	Right frame	13	1	GLS400	Small spring latch spring
2	1	HGS8114-BGL	Bottom left door	14	4	CP3	3" clip pin
3	1	HGS8114-BGR	Bottom right door	15	8	H5C12*5	1/2" x 5" hex bolt
4	1	HGS8114-TGL	Top left door	16	3	H5C38*1	3/8" x 1" hex bolt
5	1	HGS8114-TGR	Top right door	17	16	FW12	1/2" flat washer
6	1	HCA01FWB-R	Front winch mount	18	6	FW38	3/8" flat washer
7	1	DLB800	800lb hand winch	19	8	NC12	1/2" hex nut
8	3	GLSB	Spring latch bolt	20	3	NC38	3/8" hex nut
9	3	GLSH	Spring latch handle	21	1	HCA2001-LS	Leg strap
10	3	GLS675	Spring latch spring	22	6'	RSBN12	1/2" braided nylon rope
11	1	GLSSB	Small spring latch bolt	23	1	H5C14*5	1/4" x 5" hex bolt
12	1	GLSSH	Small spring latch handle	24	3	JNNC12	1/2" jam lock nut
				25	3	SNC12	1/2" steel lock nut

Automatic Headgate



Ref #	Qty	Part #	Description
1	1	HHEFRAME	Frame
2	1	HHEDOOR-L	Door left
3	1	HHEDOOR-R	Door right
4	2	HHEYOKE	5/16" yoke
5	1	HHE1.13X85Z	Door return spring
6	1	HHE1.13X2.332	Door cushion spring
7	2	HHE95Z	Zinc plated latch spring
8	2	HHE97Z	Door tension spring
9	2	HHEBOLT	5/16" x 7" eye bolt
10	1	NBK8171	Chain adjuster
11	1		Nose bar
12	1		Adjustable hinge pin
13	2		Attachment pin
14	1	PBZLOGO18X3.5	PBZ logo sticker
15	2	8100*4	Door link
16	2	8100*15	Door bolt
17	1	8100*16	Door adjustable bolt

Ref #	Qty	Part #	Description
18	2	8100*17	Aluminum wheel
19	1	8100*22	Roof
20	1	8100*23	Door handle
21	2	CP516*1	5/16" x 1" clevis pin
22	2	CP1516	1 5/16" clip pin
23	1	CP3	3" clip pin
24	1	SHS516*2	5/16" x 2" sq. head screw
25	1	NC516	5/16" hex bolt
26	2	H5C38*34	3/8" x 3/4" hex bolt
27	2	H5C38*114	3/8" x 1 1/4" hex bolt
28	2	H5C38*312	3/8" x 3 1/2" hex bolt
29	6	SNC38	3/8" steel lock nut
30	1	H5C12*112	1/2" x 1 1/2" hex bolt
31	4	H5C12*2	1/2" x 2" hex bolt
32	1	NNC12	1/2" nylon lock nut
33	4	NC12	1/2" hex nut



Ref #	Qty	Part #	Description
1	1	HSG8150	Rear swing gate
2	1	HCA01IV	Adjustable IV bar
3	1	HCA01HP	Head positioning bar
4	1	HCA01RS	Hoof care rope spool
5	4	HCA06BBC	Belly belt clamp
6	1	NA40424-6X65	Rubber belly band
7	1	DLB1500-S	1500lb hand winch w/ sprocket
8	1	501516	#50 x 15 tooth sprocket
9	3'	RC50R	#50 roller chain
10	2	UCP205-16	Bearing and spacer plate
11	2	00267	Square Lock pin

Ref #	Qty	Part #	Description
12	16'	RSBN12	1/2" braided nylon rope
13	1	KEY14	1/4" sq. x 1 1/2" keyway
14	2	4200425	1/4" slip hook, 1/2" eye
15	3	H5C38*1	3/8" x 1" hex bolt
16	6	H5C516*114	5/16" x 1 1/4" hex bolt
17	4	H5C12*5	1/2" x 5" hex bolt
18	8	FW12	1/2" flat washer
19	6	SNC516	5/16" steel lock nut
20	4	NC12	1/2" hex nut
21	6	FW38	3/8" flat washer
22	3	NC38	3/8" hex nut

Winch Operating Instructions

Wind cable or rope on winch reel by turning winch handle in clockwise direction. This should produce a loud, sharp, clicking noise. The load will remain in position when the handle is released. Wind cable or rope off the winch by turning winch handle counterclockwise (no noise will be produced). The load will remain in position when the handle is released, but for extra security it is recommended that the handle be turned clockwise until at least two clicks are heard. This will add extra tightness to the brake mechanism. Always satisfy yourself that the winch is holding the load before releasing the winch handle.

IMPORTANT: Sufficient load must be applied to the cable or rope to overcome internal resistance and operate the brake properly, otherwise turning the crank handle counterclockwise will only remove the handle from the shaft – the reel will not turn. The minimum operating load requirement is 50 lb. for each winch.

Winch Maintenance

In order to insure maximum performance, a periodic inspection for any necessary preventive maintenance should be made. Check at least once annually and more frequently when the winch is exposed to an environment which is particularly dirty or wet. For continued smooth performance and increased life, occasionally grease gears, reel shaft and handle threads. An occasional drop of oil on the drive shaft bearings is also recommended. Note: Do not oil or grease brake mechanism.