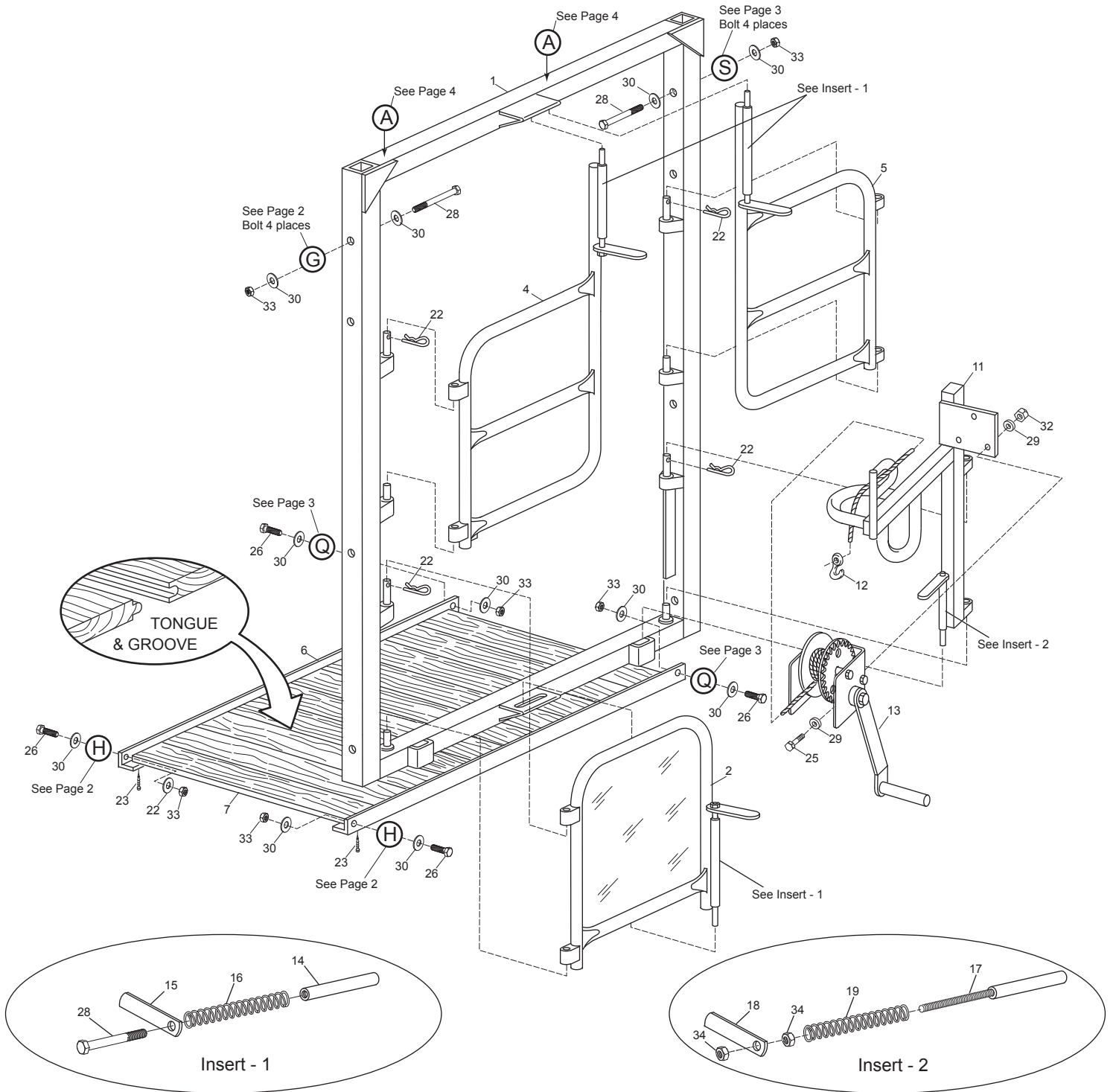




295 Woodcorner Rd.  
Lititz, PA 17543  
(717) 738-7365

# **Hoof Care / Vet Chute**

## **Parts & Assembly Sheets**

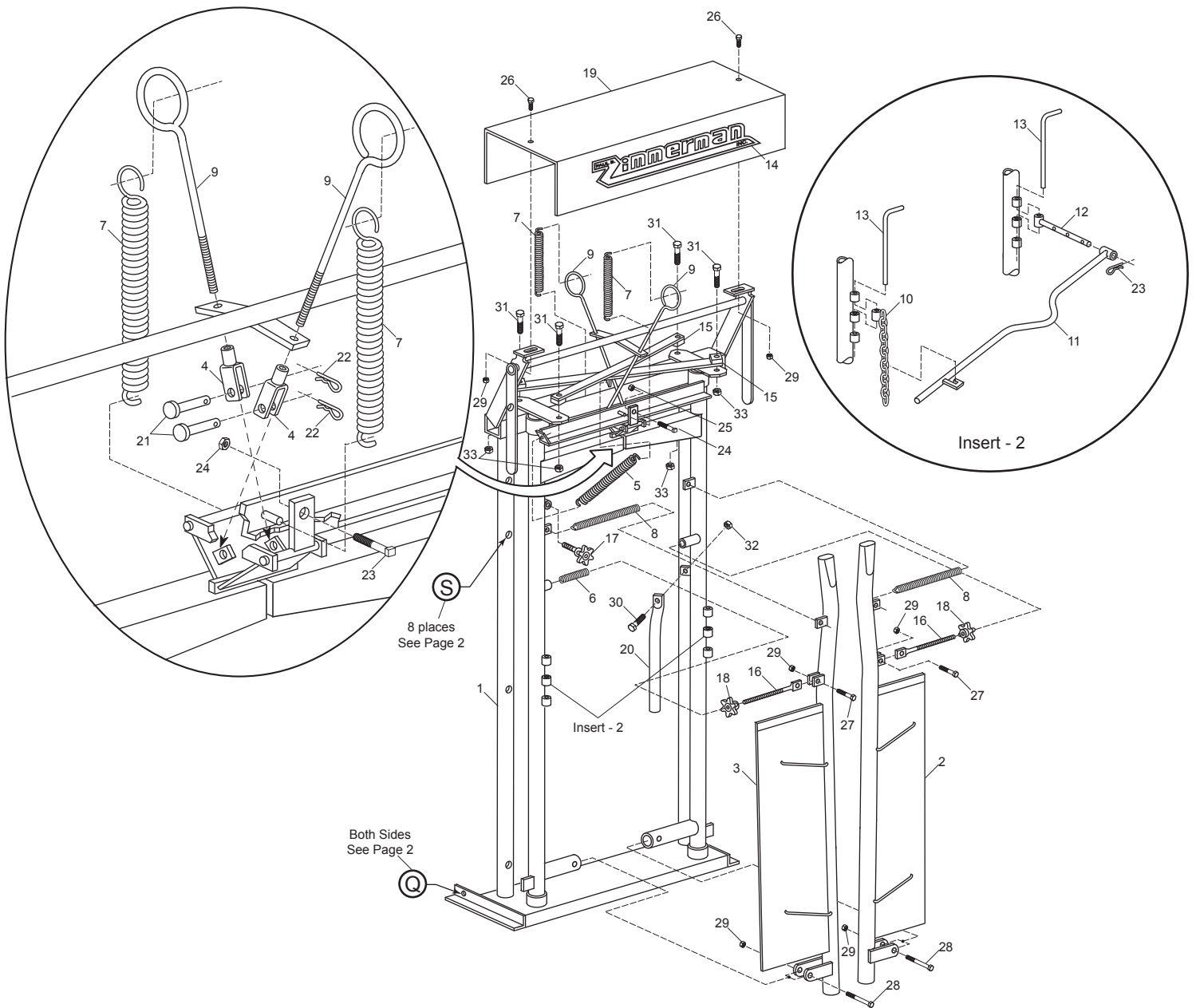


Ref #	Qty	Part #	Description
1	1	HGS8114	4 gated side pannel
2	1	HGS8114-BGL	Bottom left door
4	1	HGS8114-TGL	Top left door
5	1	HGS8114-TGR	Top right door
6	1	HHFLOOR	Floor frame
7	11	R9102	Rumber traction plank
11	1	HCA01FWB-R	Front winch mount
12	1	4200425	1/4" slip hook, 1/2" eye
13	1	DLB1200	1200lb. hand winch
14	3	GLSB	Spring latch bolt
15	3	GLSH	Spring latch handle
16	3	GLS675	Spring latch spring

Ref #	Qty	Part #	Description
17	1	GLSSB	Small spring latch bolt
18	1	GLSSH	Small spring latch handle
19	1	GLS400	Small spring latch spring
22	4	CP3	3" clip pin
23	62	DSS6X158	#6 x 1 5/8" S.S. deck screw
25	3	H5C38*114	3/8" x 1 1/4" hex bolt
26	4	H5C12*112	1/2" x 1 1/2" hex bolt
28	11	H5C12*5	1/2" x 5" hex bolt
29	6	FW38	3/8" flat washer
30	24	FW12	1/2" flat washer
32	3	NC38	3/8" hex nut
33	12	NC12	1/2" hex nut
34	2	NC14	1/4" hex nut

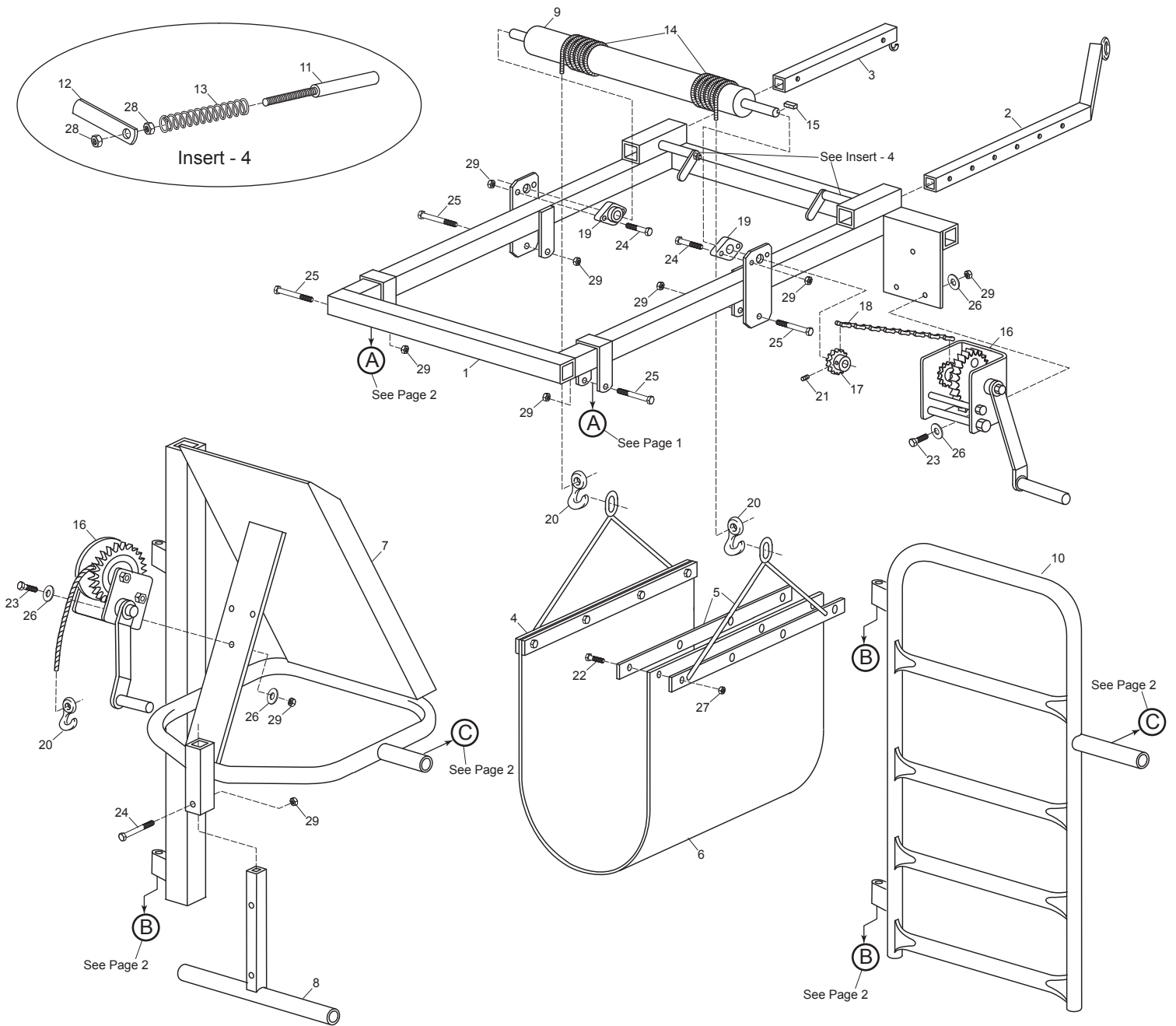


# Automatic Headgate



Ref #	Qty	Part #	Description	Ref #	Qty	Part #	Description
1	1	HHEFRAME	Frame	18	2	8100*17	Aluminum wheel
2	1	HHEDOOR-L	Door left	19	1	8100*22	Roof
3	1	HHEDOOR-R	Door right	20	1	8100*23	Door handle
4	2	HHEYOKE	5/16" yoke	21	2	CP516*1	5/16" x 1" clevis pin
5	1	HHE1.13X85Z	Door return spring	22	2	CP1516	1 5/16" clip pin
6	1	HHE1.13X2.332	Door cushion spring	23	1	CP3	3" clip pin
7	2	HHE95Z	Zinc plated latch spring	24	1	SHS516*2	5/16" x 2" sq. head screw
8	2	HHE97Z	Door tension spring	25	1	NC516	5/16" hex bolt
9	2	HHEBOLT	5/16" x 7" eye bolt	26	2	H5C38*34	3/8" x 3/4" hex bolt
10	1	NBK8171	Chain adjuster	27	2	H5C38*114	3/8" x 1 1/4" hex bolt
11	1		Nose bar	28	2	H5C38*312	3/8" x 3 1/2" hex bolt
12	1		Adjustable hinge pin	29	6	SNC38	3/8" steel lock nut
13	2		Attachment pin	30	1	H5C12*112	1/2" x 1 1/2" hex bolt
14	1	PBZLOGO18X3.5	PBZ logo sticker	31	4	H5C12*2	1/2" x 2" hex bolt
15	2	8100*4	Door link	32	1	NNC12	1/2" nylon lock nut
16	2	8100*15	Door bolt	33	4	NC12	1/2" hex nut
17	1	8100*16	Door adjustable bolt				

# Page 4 - Accessories



Ref #	Qty	Part #	Description
1	1	HCA01TR	Hoof care top rack
2	1	HCA01AP	Head positioning bar
3	1	HCA01IV	Adjustable IV bar
4	1	HCA01B	Belt assembly
5	2	HCA01BBC	Belly belt clamp
6	1	NA40424-24X65	Rubber belly band
7	1	HCA01RG	Hoof care rear gate
8	1	HCATB	T-bar
9	1	HCA01RS	Hoof care rope spool
10	1	HS68150	Rear swing gate
11	2	GLSSB	Small spring latch bolt
12	2	GLSSH	Small spring latch handle
13	2	GLS400	Small spring latch spring
14	40'	RSBN12	1/2" white nylon rope
15	1	KEY14	1/4" sq. x 1 1/2" keyway

Ref #	Qty	Part #	Description
16	2	DLB2000	2,000 lb hand winch
17	1	501516	# 50 x 15 tooth sprocket
18	4.5'	RC50R	#50 roller chain
19	2	FHFT20516G	1" cast flange bearing
20	3	4200425	1/4" slip hook, 1/2" eye
21	1	SSC516*12	5/16" x 1/2" set screw
22	8	H5C516*114	5/16" x 1 1/4" hex bolt
23	6	H5C38*1	3/8" x 1" hex bolt
24	4	H5C38*114	3/8" x 1 1/4" hex bolt
25	5	H5C38*3	3/8" x 3" hex bolt
26	12	FW38	3/8" flat washer
27	8	NNC516	5/16" nylon lock nut
28	2	NC14	1/4" hex nut
29	15	NC38	3/8" hex nut

## Winch Operating Instructions

Wind cable or rope on winch reel by turning winch handle in clockwise direction. This should produce a loud, sharp, clicking noise. The load will remain in position when the handle is released. Wind cable or rope off the winch by turning winch handle counterclockwise (no noise will be produced). The load will remain in position when the handle is released, but for extra security it is recommended that the handle be turned clockwise until at least two clicks are heard. This will add extra tightness to the brake mechanism. Always satisfy yourself that the winch is holding the load before releasing the winch handle.

**IMPORTANT:** Sufficient load must be applied to the cable or rope to overcome internal resistance and operate the brake properly, otherwise turning the crank handle counterclockwise will only remove the handle from the shaft – the reel will not turn. The minimum operating load requirement is 50 lb. for model DLB1200 and 75 lb for model DLB2000.

## Winch Maintenance

In order to insure maximum performance, a periodic inspection for any necessary preventive maintenance should be made. Check at least once annually and more frequently when the winch is exposed to an environment which is particularly dirty or wet. For continued smooth performance and increased life, occasionally grease gears, reel shaft and handle threads. An occasional drop of oil on the drive shaft bearings is also recommended. Note: Do not oil or grease brake mechanism.