

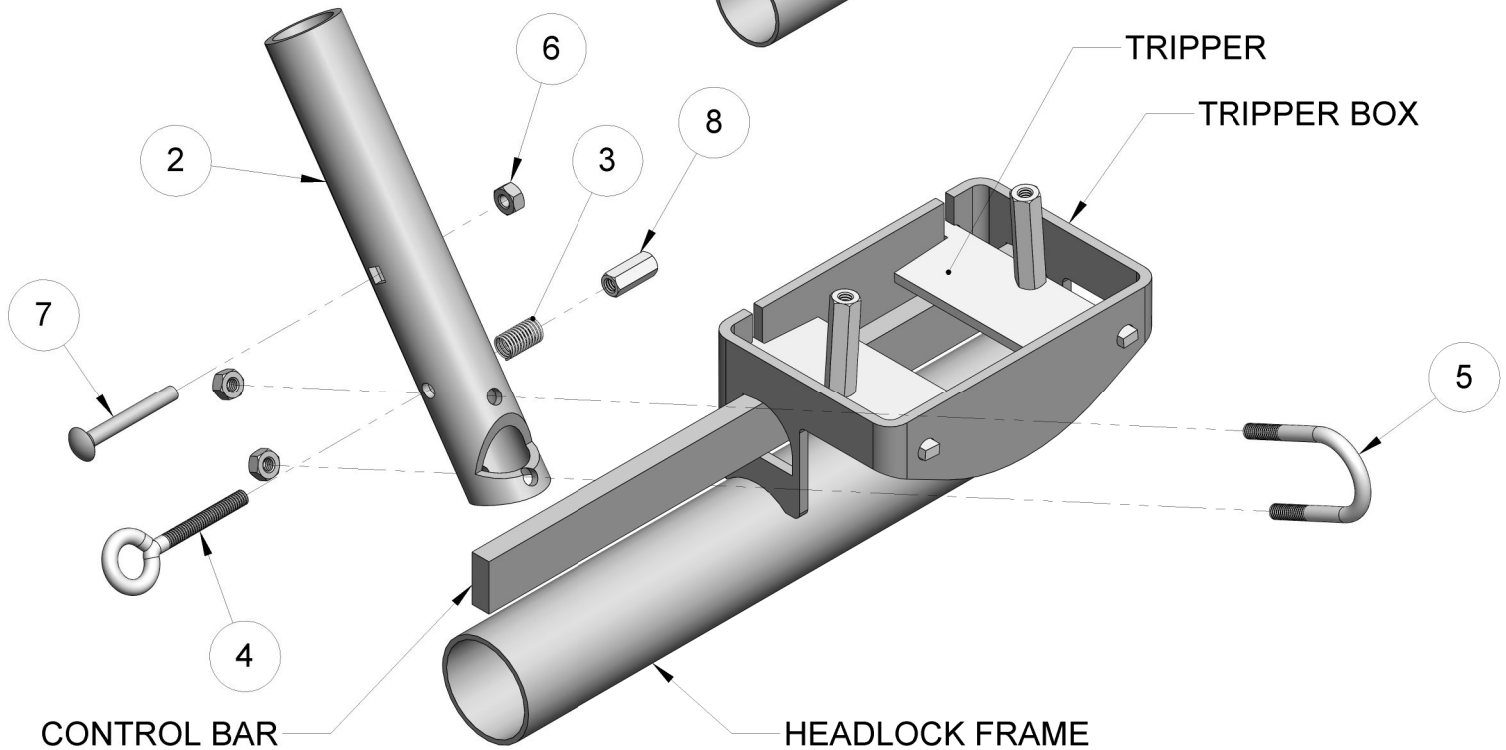
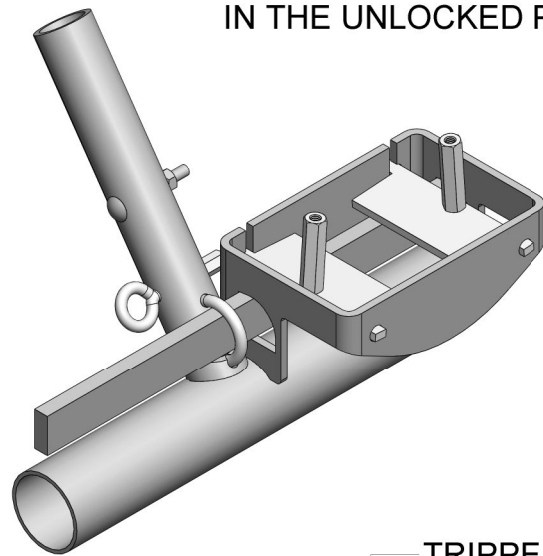
HEADLOCK MOUNTING AND INSTALLATION GUIDE

CH - Control Handle			
ITEM	QTY.	PART NUMBER	DESCRIPTION
1	1	BR1009	Headlock locking handle
2	1	HLS124	Spring for locking handle
3	1	N123232	1/4" x 2" eye bolt
4	1	N222083	1/4" x 1 1/8" x 2 1/4" u-bolt
5	1	NC14	1/4" hex nut
6	1	CB14*2	1/4" x 2" carriage bolt
7	1	CN14	1/4" coupling nut - 7/8" long

MOUNTING INSTRUCTIONS:

1. REMOVE U-BOLT FROM HANDLE AND SLIP IT AROUND CONTROL BAR.
2. POSITION CONTROL HANDLE ON CONTROL BAR, 1/8" AWAY FROM TRIPPER BOX.
3. PUSH THE U-BOLT THRU THE HANDLE AND TIGHTEN WITH NUTS.

**CONTROL BAR AND HANDLE SHOWN
IN THE UNLOCKED POSITION**



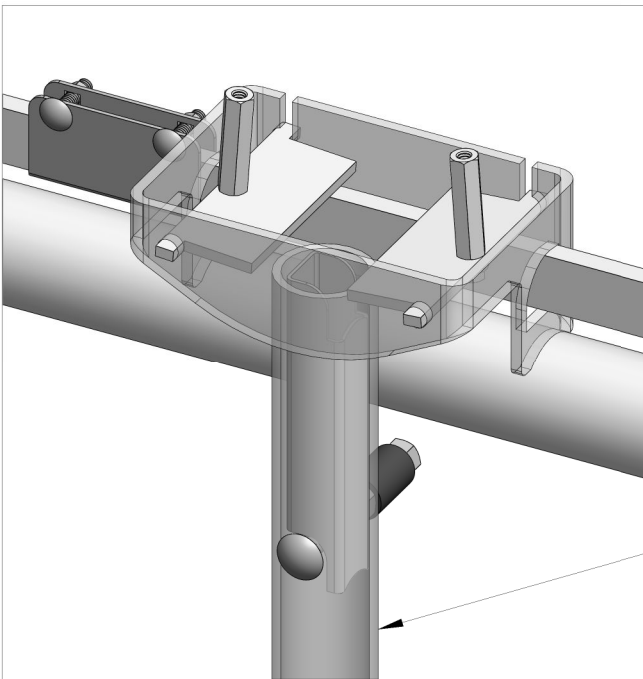
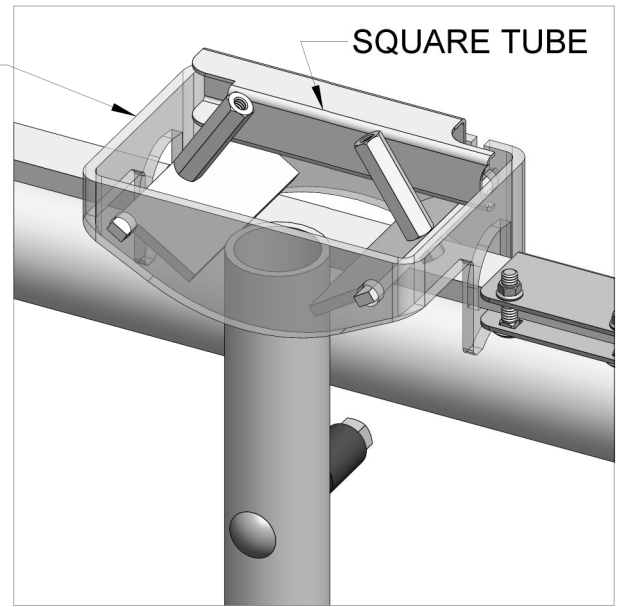
Individual Headlock Lock

SHIPPING POSITION

The square tube will be strapped to the tripper box upon arrival. The strap will have to be removed before the headlock can be used.

TRIPPER BOX

SQUARE TUBE



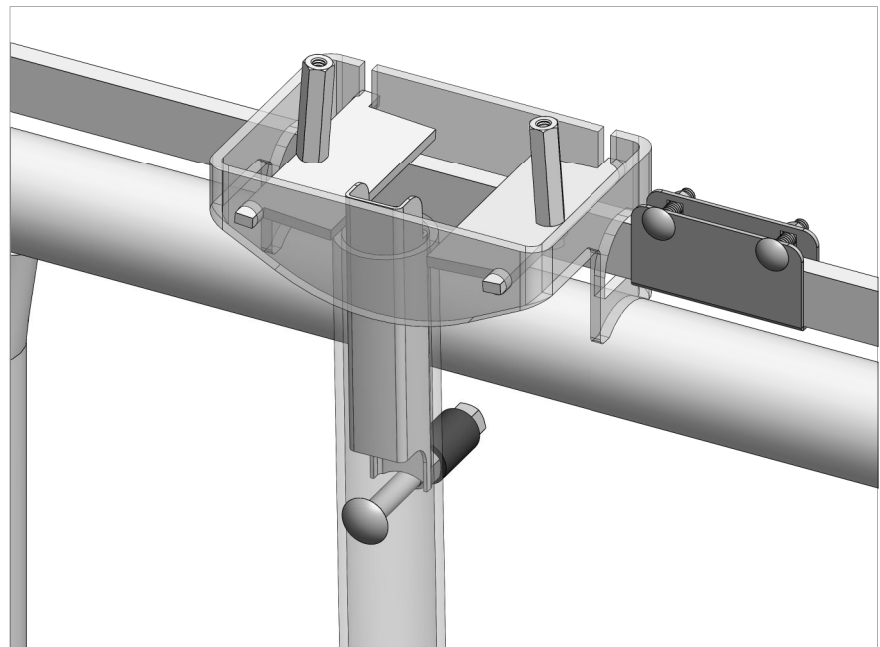
STORAGE POSITION

Once the square tube is free, it can be stored in the yoke. Simply drop it in the top of the tube and rotate until it drops flush with the top of the yoke.

YOKE

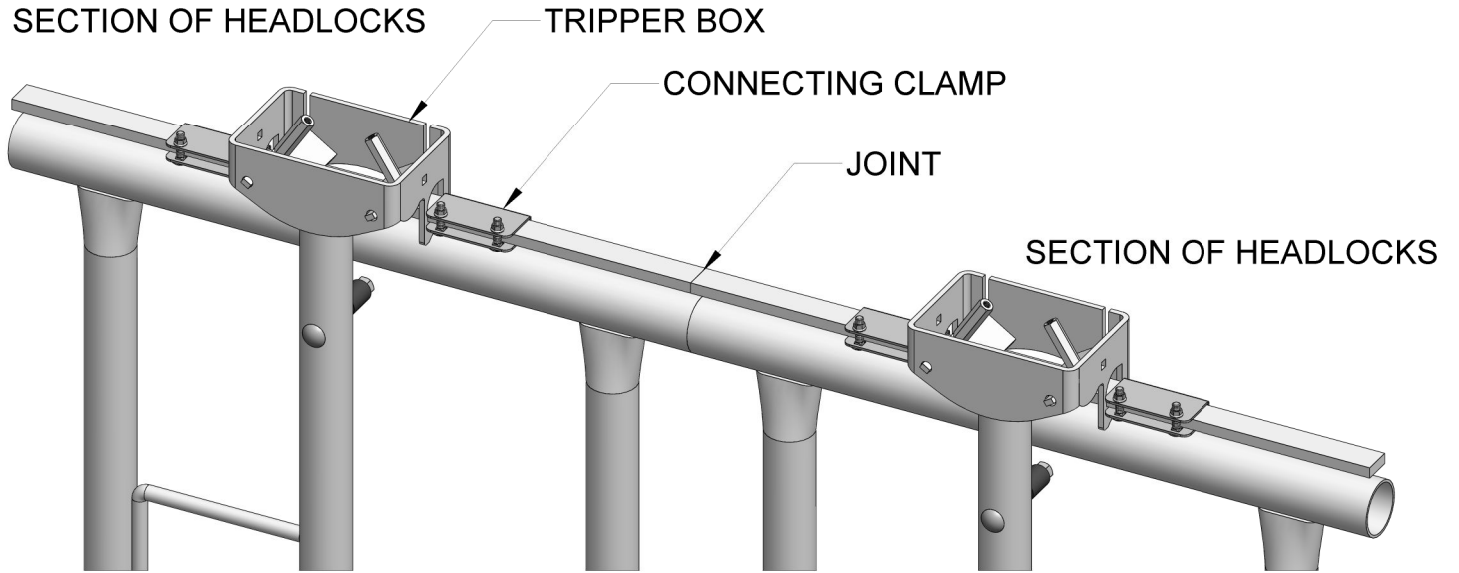
LOCKED POSITION

To lock an individual headlock, simply lift the square tube out of the yoke 1"-2" and rotate the square tube a 1/4 turn. Drop the square tube, it should be out of the yoke 3/4" -1"

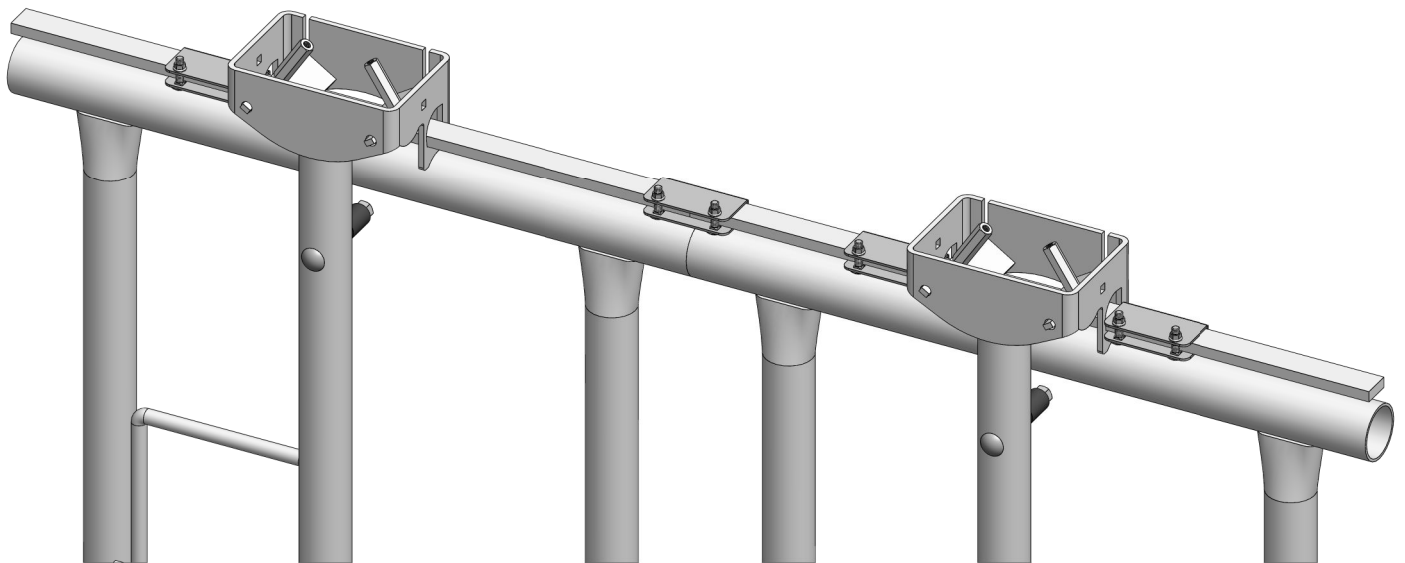


Headlock Control Bar Connecting Clamp

The headlock connecting clamp will be shipped with the clamps up against the outside tripper boxes. This is to keep the control bar from sliding back and forth.



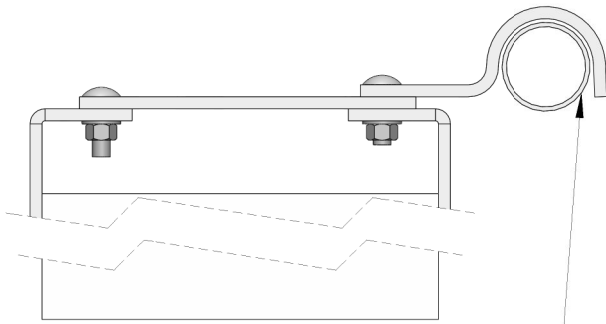
To connect (2) sections of headlocks, simply loosen the nuts of a connecting clamp, slide it over the joint, and tighten the nuts.



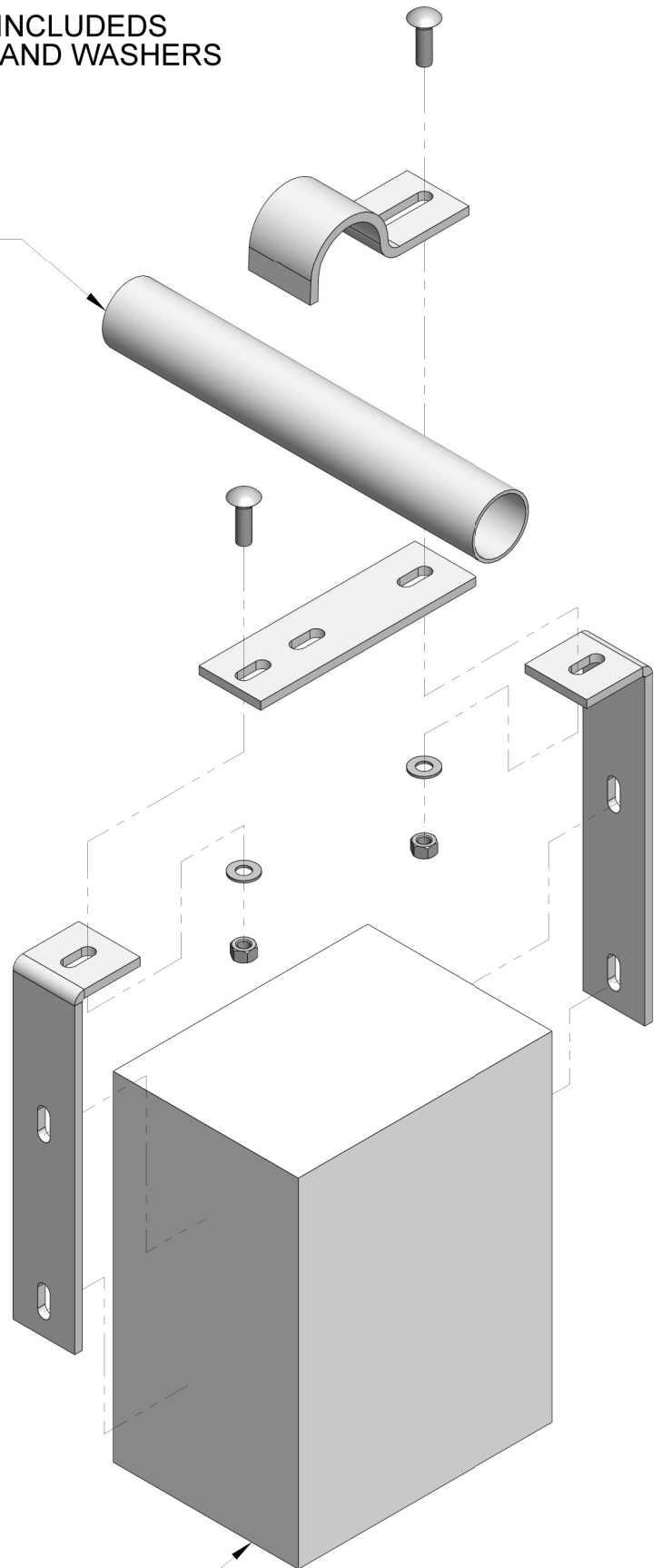
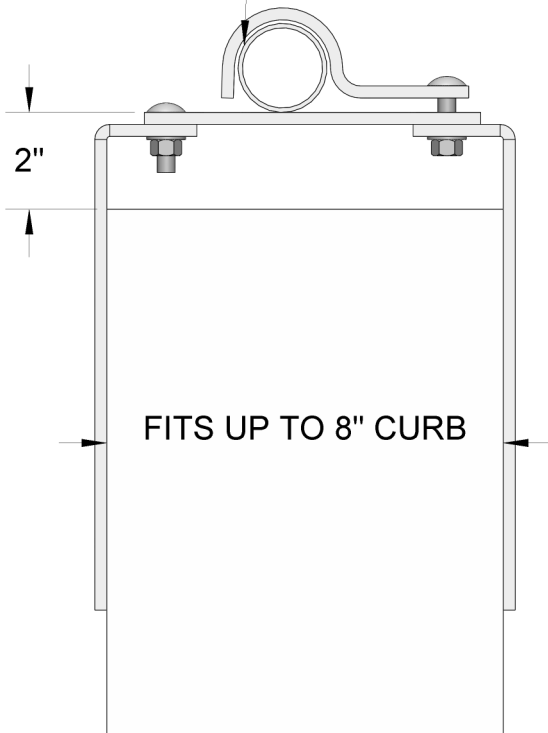
CENTER CURB SUPPORT BRACKET INSTALLATION GUIDE

CS554 KIT INCLUDES
BOLTS, NUTS, AND WASHERS

HEADLOCK



CURB SUPPORT
IS ADJUSTABLE

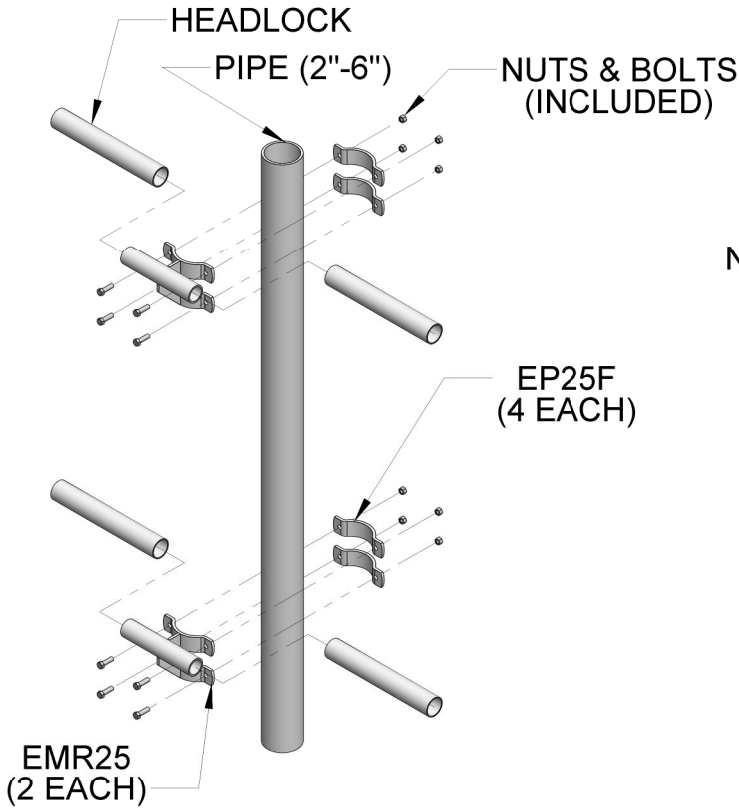


CONCRETE CURB

INSTALLATION GUIDE FOR MOUNTING HEADLOCKS ON PIPES

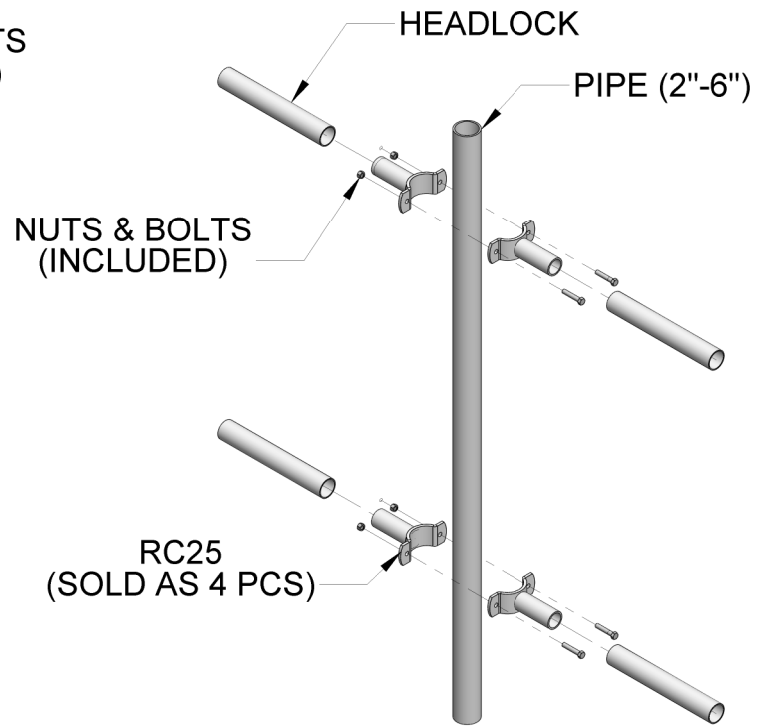
EXTENSION MOUNT CLAMPS

EMR25



IN-LINE MOUNT CLAMPS

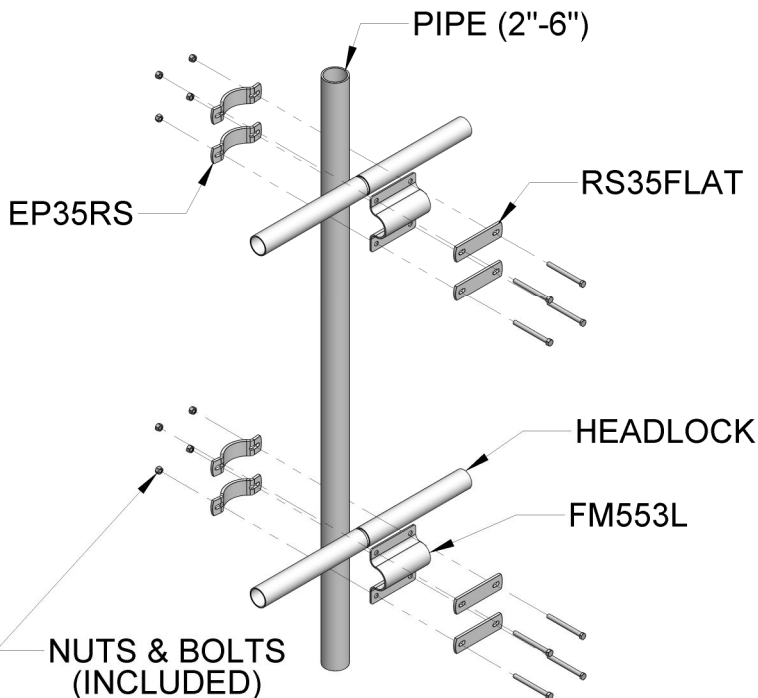
RC25



SURFACE MOUNT CLAMPS

Conventional

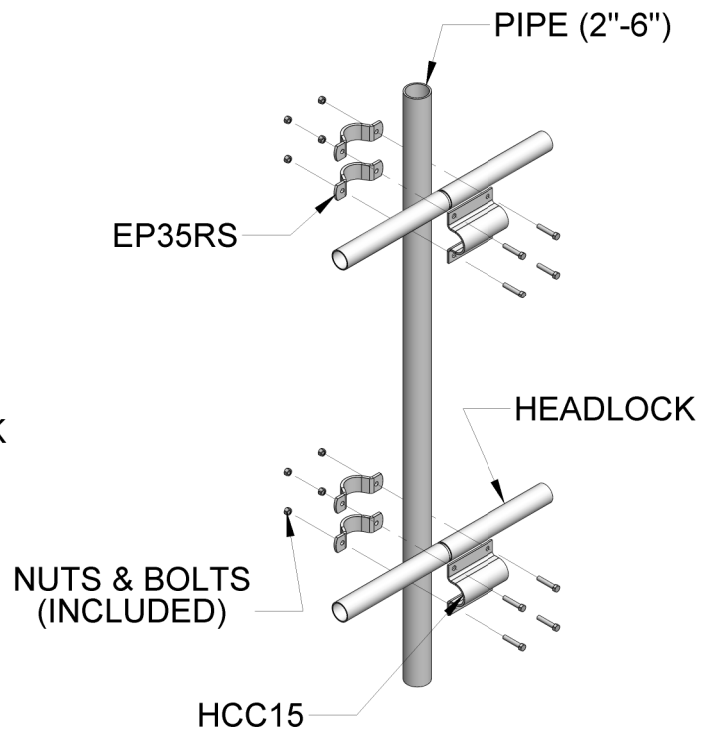
RS25



SURFACE MOUNT CLAMPS

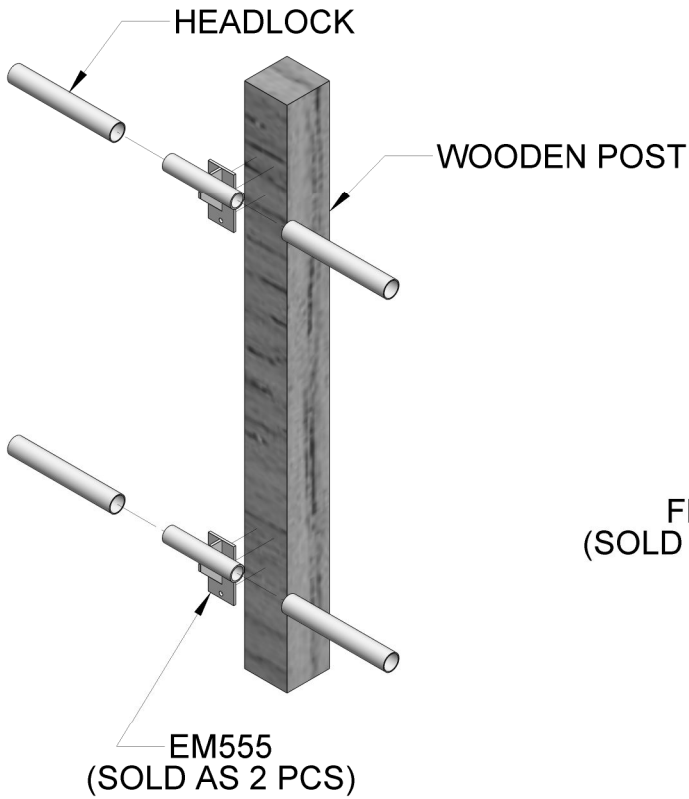
Bottom Release

FM25

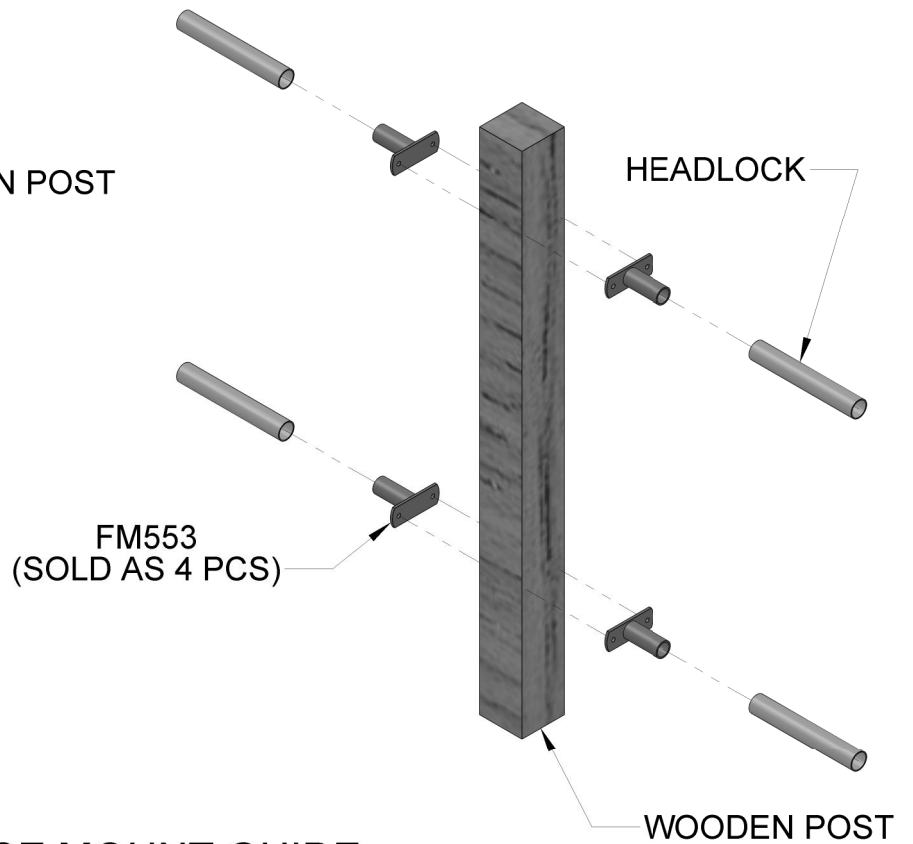


INSTALLATION GUIDE FOR MOUNTING HEADLOCKS ON SQUARE POSTS

EXTENSION MOUNT GUIDE EM555



IN-LINE MOUNT GUIDE FM552



SURFACE MOUNT GUIDE FM553

