

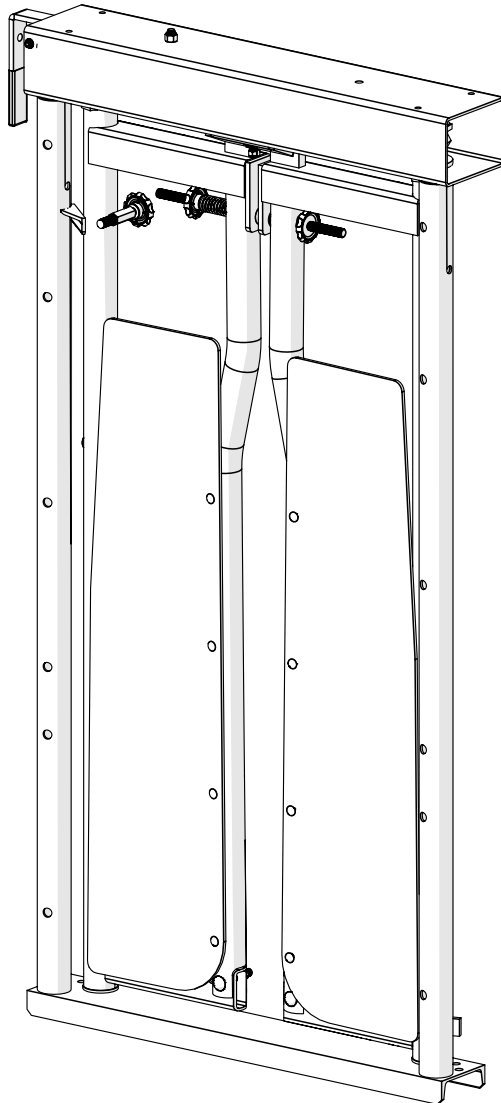


Cattle Control Equipment

Owner's Manual

Automatic Headgate

Model AHG2011



PBZ LLC | 295 Wood Corner Rd | Lititz PA 17543
www.zimmermanequipment.com | (717) 738-7365

A Paul B Zimmerman Inc. Company

Form OM0010A

Rev. Date 8/11

Zimmerman Equipment would like to thank you for choosing to purchase one of our Automatic headgates. We appreciate your business and want to fill all of your cattle control equipment needs. We also desire to provide you with the technical support and needed parts that will allow you to continue operating without disruption. For parts and service please contact your local Zimmerman Equipment dealer.

Table Of Contents

| | |
|--|-----------|
| Safety Precautions | 3 |
| General Guidelines..... | 3 |
| Operating Instructions | 4 |
| Installing Release Handle..... | 4 |
| Before Loading the Animal..... | 4 |
| Loading the Animal..... | 5 |
| Releasing the Animal..... | 5 |
| Maintenance Instructions | 6 |
| Routine Maintenance | 6 |
| Breakdowns & Parts Lists | 7 |
| Zimmerman Equipment Limited Warranty..... | 11 |
| Contact Us..... | 12 |
| Ordering Parts..... | 12 |

Safety Precautions



General Guidelines

- Be sure to read and understand this entire manual before attempting to operate the automatic headgate.
- Remember that all animals are dangerous and can behave unpredictably. Treat each animal with respect regardless of the temperament of the animal.
- The headgate is not intended for use with bison, or any animal with horns exceeding 18” in width.
- Check all bolts before each use to be sure they are tight.
- Make sure the headgate is properly anchored to the floor or another stable structure.
- When loading an animal into the headgate, always stand clear of the front of the chute in case the doors do not lock properly.
- Keep fingers clear of all latch and hinge points.
- Never allow children to play in or around the headgate.

Operating Instructions

Installing Release Handle

1. The Automatic Headgate comes with the release handle (a) uninstalled (Figure 1).
2. The release handle can be installed on the left or right-hand side of the Headgate, depending on the set-up.
3. To install the handle (a), place 1/2" flat washer (b) over the threaded stud and insert the stud through one of the release handle holes as shown (Figure 1).
4. Secure the handle by threading a 1/2" steel lock nut (c) onto the stud as shown (Figure 1). Be sure to keep the nut loose enough to allow the handle to rotate properly.
5. You may have to press the door latch trippers up as shown (Figure 1) to slide the handle between them.

Note: A second release handle can be purchased to allow operation from both sides of the headgate.

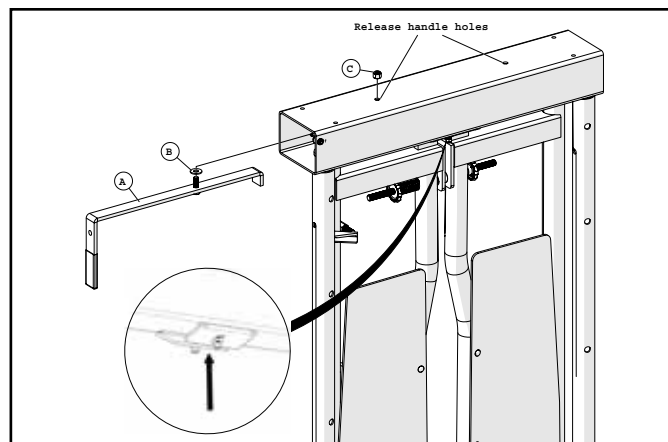


Figure 1: Installing the release handle

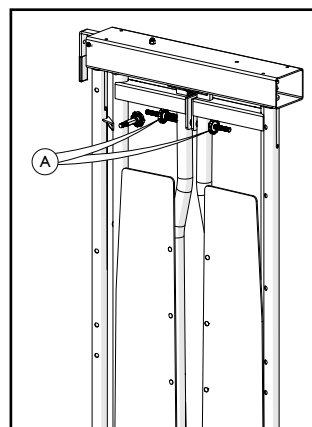


Figure 2: Neck opening adjustment

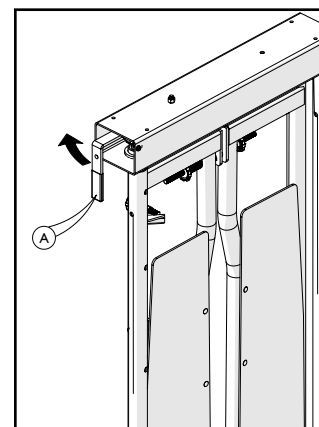


Figure 3: Control handle

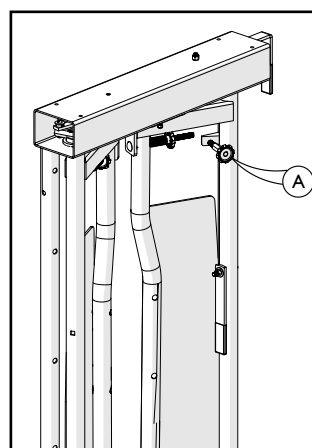


Figure 4: Loading position

1. Make sure the doors are properly adjusted for the size of the animal you will be working with.
2. The neck opening can be adjusted by turning the aluminum knobs (a) on each door (Figure 2). The doors should be adjusted only if the animal size varies by more than 300 lbs.
3. Adjusting the head opening can be done by pulling the control handle (a) on the side of the headgate toward the front of the headgate as shown (Figure 3). This allows the doors to swing into the loading position (Figure 4).
4. With the doors in the loading position, turn the aluminum knob (a) on the right hand door to widen, or narrow the head opening (Figure 4).
5. The opening should be wide enough to allow the animal's head to easily pass through the doors, but narrow enough that the animal's shoulders cannot. If the opening is too small for the animal's neck, the doors will not latch properly.
6. If the opening is too narrow the animal may refuse to go through the headgate.
7. If the opening is too wide the animal's shoulders may pass through and cause the headgate to catch the animal by the rib cage or stomach.

Operating Instructions

Loading the Animal

1. With the doors properly adjusted, load the animal. The animal should approach the headgate from the rear of the machine, as shown (Figure 5).
2. For slow or timid animals, the headgate features a handle (a) that can be mounted on the left or right side of the machine (Figure 6). If the animal puts its head through the headgate but does not go far enough for the doors to close, the handle can be pulled to manually close and lock the doors in place.
3. If the door opening is set too wide, and the headgate catches the animal by the rib cage or stomach, you will need to fully open one door to release the animal.
4. To fully open a door on the headgate, remove the aluminum adjustment knob (a) from the top of the door and rotate the door insert (b) towards the outside of the headgate as shown (Figure 7).
5. This will allow the animal to safely exit the headgate.

Releasing the Animal

1. To release the animal, pull the control handle (a) on the side of the headgate toward the rear of the headgate as shown (Figure 8).
2. With the control handle pulled towards the rear of the headgate, the doors are able to swing forward, allowing the animal to safely exit through the front of the headgate.
3. Once the animal has safely exited the headgate, the doors will swing back into the locked position.
4. Pull the control handle (a) towards the front of the headgate as shown (Figure 3, page 4) and the doors will swing into the loading position for the next animal.

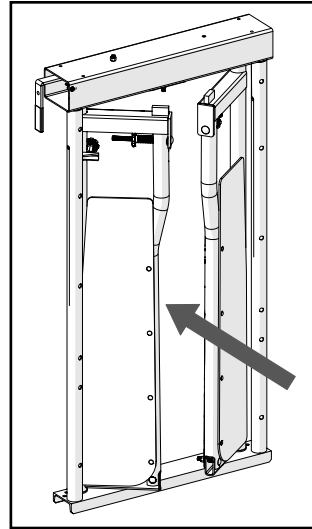


Figure 5: Loading the animal

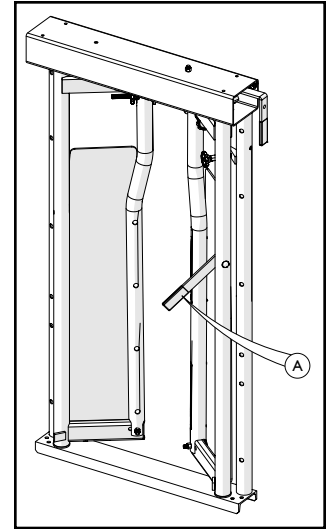


Figure 6: Loading handle

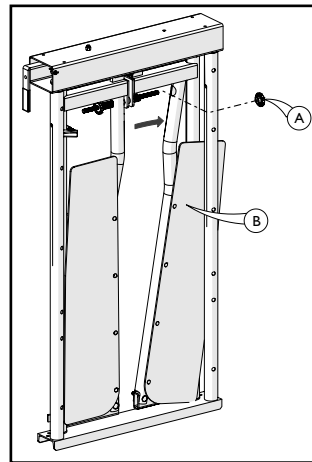


Figure 7: Removing a stuck animal

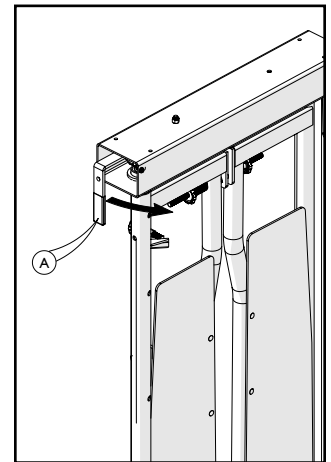


Figure 8: Releasing the animal

Maintenance Instructions

Routine Maintenance

The Zimmerman headgate is designed to operate with minimal maintenance, however, following are a few maintenance items to help keep your headgate operating smoothly.

1. After each use, rinse off any mud or manure that has accumulated on the floor or around the bottom bushings of the headgate.
2. The headgate has four UHMW bushings, one on the top of each door (a) and one on the bottom of each door (b) (Figure 9).
3. These bushings are designed to have a long life with minimal wear, if the doors should start to become sticky, or hard to open and close, using a few drops of WD-40 (or similar lubricant) on each bushing will allow the doors to swing freely again.
4. To adjust the latch, turn the latch tripper adjustment nut (a). Turn the nut clockwise to close the latch and counter-clockwise to open it (Figure 10).

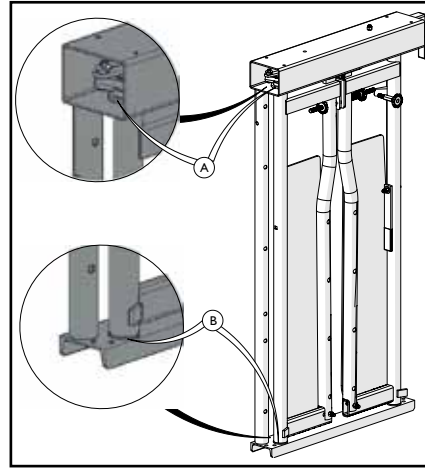


Figure 9: Headgate door bushings

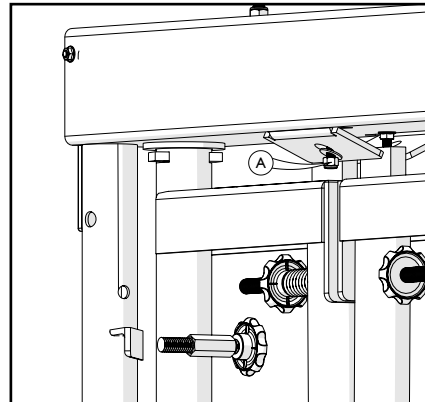
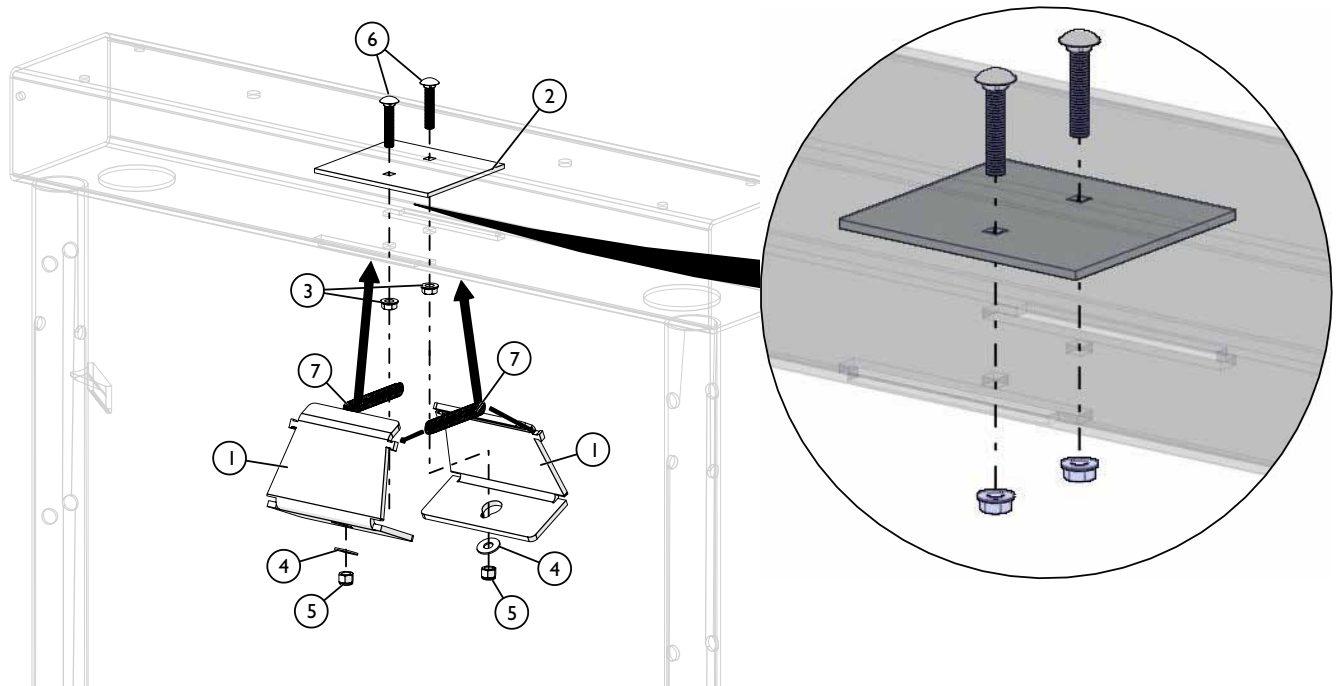


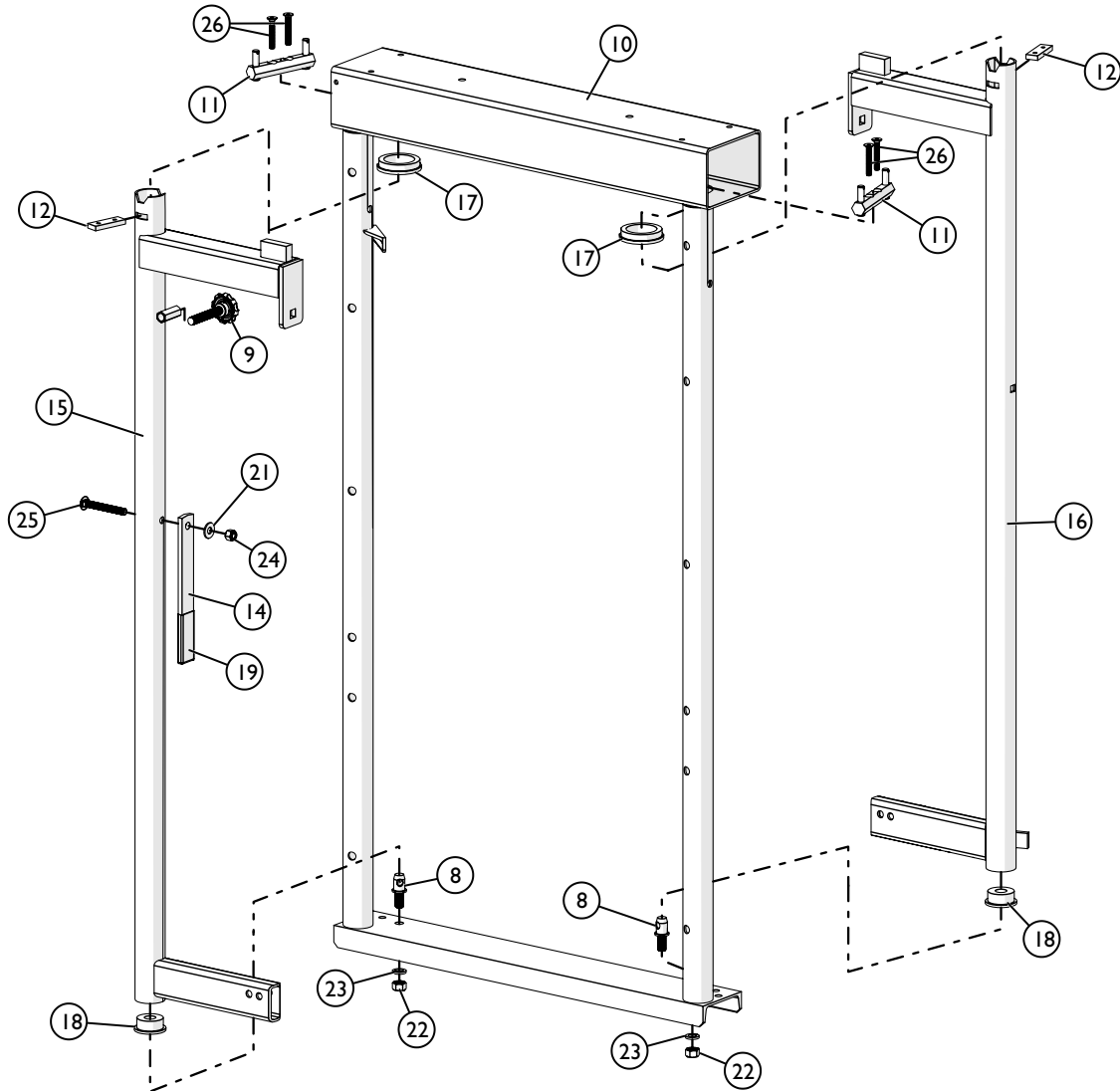
Figure 10: Adjusting the latch

Breakdowns & Parts Lists



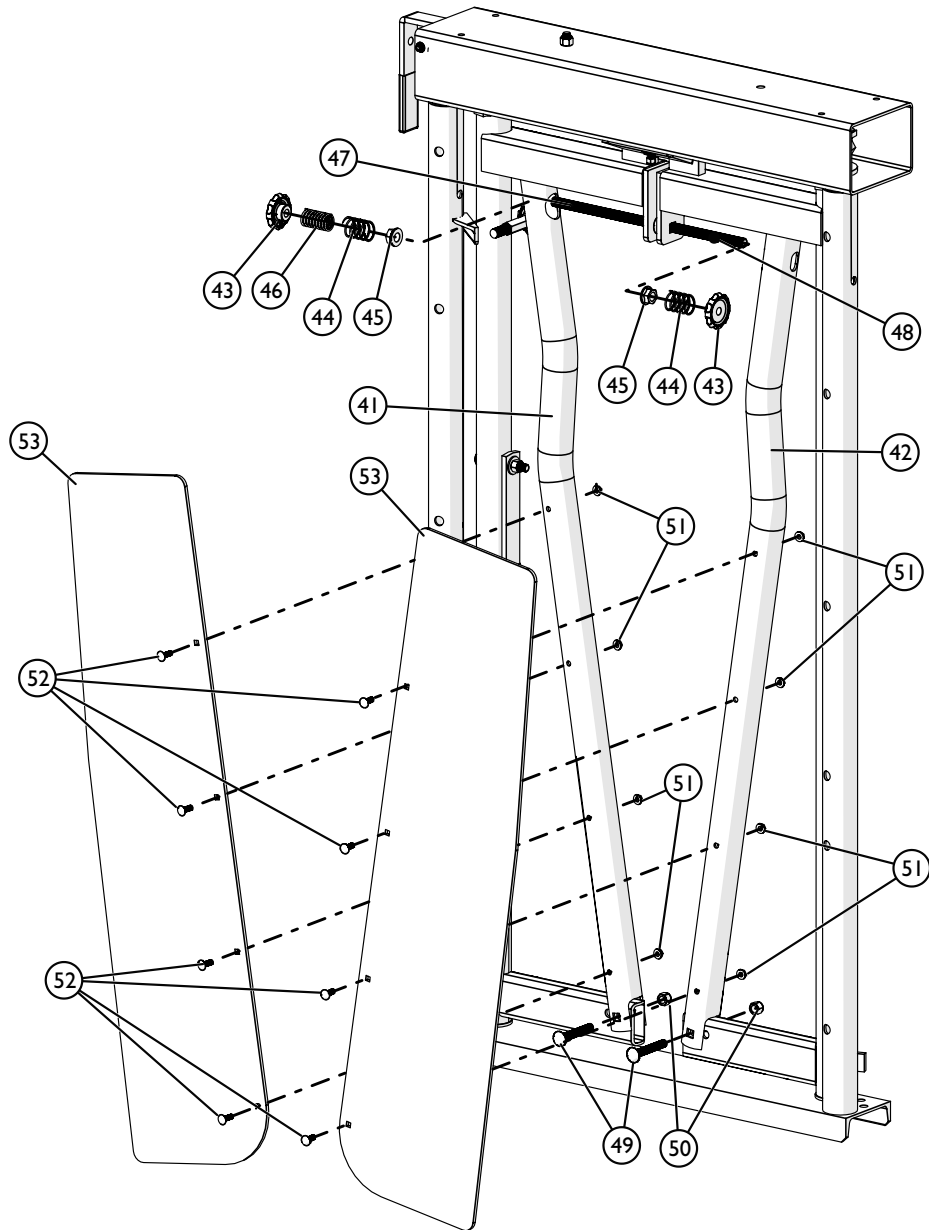
| Ref # | Qty | Part Number | Description |
|-------|-----|-------------|---|
| 1 | 2 | AHG006 | Automatic headgate - tripper |
| 2 | 1 | AHG012 | Automatic headgate - tripper spacer plate |
| 3 | 2 | FN38 | Flange nut, 3/8-16 |
| 4 | 2 | FW38 | Flat washer, 3/8" |
| 5 | 2 | NNC38 | Nylon lock nut 3/8-16 |
| 6 | 2 | CB38*2G5 | Carriage bolt, 3/8-16 x 2" grade 5 |
| 7 | 2 | S-137 | Spring, C-137, 1/2" x 2 1/2" |

Breakdowns & Parts Lists



| Ref # | Qty | Part Number | Description |
|-------|-----|-------------|--|
| 8 | 2 | 00169 | Stabilizer pin, 7/8" x 5/8" |
| 9 | 1 | AHG019 | Door stop adjuster |
| 10 | 1 | AHG001 | Automatic headgate frame |
| 11 | 2 | AHG002 | Headgate door linkage hex bar |
| 12 | 2 | AHG005 | Automatic headgate - door linkage flat bar |
| 14 | 1 | AHG008 | Automatic headgate - door handle |
| 15 | 1 | AHG009 | Automatic headgate - right door |
| 16 | 1 | AHG010 | Automatic headgate - left door |
| 17 | 2 | AHG016 | Automatic headgate - door bushing |
| 18 | 2 | AHG017 | Automatic headgate - bottom door bushing |
| 19 | 1 | FE0375 | Flat bar plastic cap |
| 21 | 1 | FW12 | Flat washer, 1/2" |
| 22 | 2 | NC58 | Hex nut, 5/8-11 |
| 23 | 2 | LW58 | Lock washer, 5/8" |
| 24 | 1 | SNC12 | Steel lock nut, 1/2-13 |
| 25 | 1 | CB12*312G5 | Carriage bolt, 1/2-13 x 3 1/2" grade 5 |
| 26 | 4 | SCC38*212 | Socket countersunk head screw, 3/8-16 x 2 1/2" |

Breakdowns & Parts Lists



| Ref # | Qty | Part Number | Description |
|-------|-----|---------------|--|
| 41 | 1 | AHG003 | Automatic headgate - right insert door |
| 42 | 1 | AHG004 | Automatic headgate - left insert tube |
| 43 | 2 | 8100x16-1 | Door stop adjuster knob |
| 44 | 2 | AHG020 | Compression spring, 1 19/64" x 5" x 0.09" |
| 45 | 2 | FN58 | Flange nut, 5/8-11 |
| 46 | 1 | HHE1.13x2.33Z | Door compression spring |
| 47 | 1 | CB58*9G5 | Carriage bolt, 5/8-11 x 9", grade 5, full thread |
| 48 | 1 | CB58*612G5 | Carriage bolt, 5/8-11 x 6 1/2", grade 5 |
| 49 | 2 | CB12*312G5 | carriage bolt, 1/2-13 x 3 1/2" grade 5 |
| 50 | 2 | NNC12 | Nylon lock nut, 1/2-13 |
| 51 | 8 | FN516 | Flange nut, 5/16-18 |
| 52 | 8 | CB516*1G5 | Carriage bolt, 5/16-18 x 1", grade 5 |
| 53 | 2 | AHG011 | Automatic headgate - door UHMW sheet |

Zimmerman Equipment Limited Warranty

Automatic Headgate: Model AHG2011

Warranty Coverage

PBZ LLC hereby provides a Limited Two (2) Year Warranty on automatic headgates, manufactured by PBZ LLC. Headgates manufactured by PBZ LLC are warranted against any manufacturer's defects in any of the headgate's components in the 24 months following the original date of purchase.

Defective components will be repaired or replaced at the discretion of the manufacturer. It is the responsibility of the purchaser to return warranted components to the manufacturer. This warranty is limited to the repair or replacement of headgate components only. PBZ LLC is not to be held liable for incidental or consequential damages of any kind. This warranty covers the purchaser of this headgate and any other owners who own it during the two year warranty period.

To retain the warranty, the headgate must be operated and maintained as ascribed by its owner's manual. For warranty service, please have a copy of the purchase invoice available.

Warranty Is Void if:

1. The headgate has been subjected to, in the opinion of PBZ LLC, negligent handling, misuse, an accident or if the instructions in the owner's manual were not completely followed.
2. The headgate's components have been altered in any manner or repairs have taken place with unapproved parts.

Getting Service

All automatic headgate warranty claims must be made through an authorized Zimmerman Equipment dealer. All warranty claims must be submitted with an invoice or a proof of purchase that denotes the purchase date and place of purchase. If you have any questions or comments concerning this warranty, please contact an authorized Zimmerman Equipment dealer.

Contact Us

We desire to give you continuing service in the best manner possible. This includes listening to your comments, suggestions, and problems. We will do our best to answer all questions thoroughly and in a timely manner. We have trained customer service specialists who are more than willing to listen to any questions or problems and help you to find a feasible solution.

Ordering Parts

We have a fully-stocked parts department that will be able to meet all of your parts needs. Our trained customer service specialists will ensure that all purchases are processed smoothly and shipped in a timely manner. We regularly ship our parts and products on the same business day and we are willing to work with you to find the best shipping solution. We also offer priority shipping to reduce your downtime and keep your Zimmerman equipment on the job.

Note: When ordering parts, please provide our sales staff with the correct part number and description listed on the parts list.



Cattle Control Equipment

PBZ LLC

A Paul B Zimmerman Inc. Company

295 Wood Corner Road

Lititz PA 17543

(717) 738-7365

Fax (717) 738-7375

www.zimmermanequipment.com