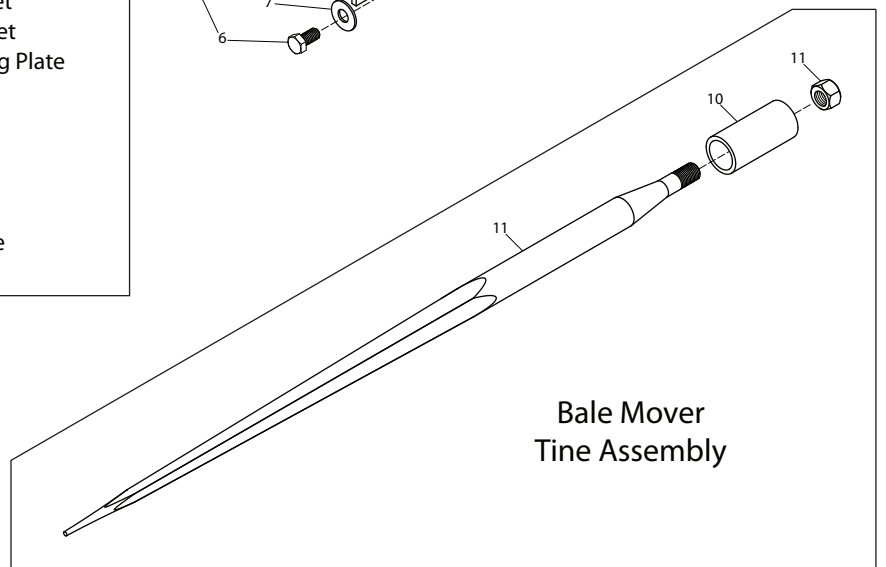


Ref #	Qty	Part #	Description
1	1	COM25*	Bale Mover Frame
2	4	COM3PT	Long Mounting Bracket
3	2		Short Mounting Bracket
4	4	COMMP	Quick Attach Mounting Plate
5	12	H5C12*5	1/2" x 5" Hex Bolt
6	4	H5C12*112	1/2" x 1 1/2" Hex Bolt
7	16	FW12	1/2" Flat Washer
8	16	LW12	1/2" Lock Washer
9	16	NC12	1/2" Hex Nut
10		SCO2500	Bale Mover Tine Sleeve
11		PRO25**	Bale Mover Tine



Bale Mover
Tine Assembly